



THE new

SALOON & TOURING



Best viewed in landscape mode



THE NEW BMW 5 SERIES SALOON AND TOURING.

RETURN BY CLICKING [🏠](#)
SELECT A TOPIC BELOW TO EXPLORE:



FEATURED MODEL.

BMW 530e M SPORT SALOON:

TwinPower Turbo four-cylinder petrol engine, 184hp (135kW), electric motor 109hp (80kW), 20" M light alloy Y-spoke style 846 M wheels in Bicolour Jet Black, Phytonic Blue metallic paint, Sport seats in Exclusive Nappa leather in Ivory White and Aluminium Rhombicle Smoke Grey interior trim.

BMW 530e SE TOURING:

TwinPower Turbo four-cylinder petrol engine, 184hp (135kW), electric motor 109hp (80kW), 18" light alloy Double-spoke style 844 wheels, Sophisto Grey metallic paint, Dakota leather in Ivory White and Oxide Silver Dark Matt interior trim.

Content correct at time of publishing (as of January 2021). Prices and technical data subject to change. The models shown on these pages may feature optional equipment. Standard equipment may also vary depending on engine variant. For further details, please contact your local BMW Centre.



CHANGE THE WAY YOU LEAD.
LEAD THE WAY YOU CHANGE.



ELEGANCE AND
ERGONOMICS.



AS PROGRESSIVE
NOW AS EVER.

"THE NEW BMW 545e xDRIVE."
[Read the full article here](#)



M550i xDRIVE SALOON.



The new BMW 5 Series M550i xDrive Saloon model is shown above in BMW Individual Verdes Ermes metallic paint.

■ Standard equipment □ Optional equipment

M550i xDRIVE SALOON.



In addition / replacement to M Sport models

EXTERIOR

- 20" M light alloy Double-spoke style 668 M wheels
- M rear spoiler
- Cerium Grey finish, comprises:
 - Kidney grille
 - Air breather
- BMW Individual Lights Shadowline

INTERIOR

- M seat belts
- Air conditioning, automatic with four-zone control
- Sun protection glass

SAFETY & TECHNOLOGY

- M Sport braking system, High-gloss Red
- BMW M TwinPower Turbo eight-cylinder petrol engine
- Adaptive M suspension
- M Sport differential
- Adaptive LED Headlights
- High-beam Assistant
- Run-flat tyres

AUDIO & COMMUNICATION

- Loudspeaker system – harman/kardon



M SPORT EDITION.



The new BMW 5 Series M Sport Edition Saloon model is shown above in Donington Grey metallic paint. M Sport Edition models are available for a limited period and subject to availability. For further details, please contact your local BMW Centre.

■ Standard equipment □ Optional equipment

M SPORT EDITION.

In addition / replacement to M Sport models

EXTERIOR

- 20" M light alloy M Edition style 1001 M wheels
- BMW Individual metallic exterior paint in either Tanzanite Blue or Donington Grey.
- M rear spoiler (Saloon only)
- Exterior trim, Extended High-gloss Shadowline
- BMW Individual Lights Shadowline

INTERIOR

- M multi-functional seats, front
- M seat belts
- Sun protection glass

SAFETY & TECHNOLOGY

- M Sport braking system, High-gloss Red
- Adaptive suspension (530d xDrive / 530e / 530e xDrive / 540i xDrive / 545e xDrive only)
- Adaptive LED Headlights
- High-beam Assistant
- Run-flat tyres



The new BMW 5 Series M Sport Edition Saloon model is shown above in Donington Grey metallic paint. M Sport Edition models are available for a limited period and subject to availability. For further details, please contact your local BMW Centre.

■ Standard equipment □ Optional equipment

M SPORT.



The new BMW 5 Series M Sport Saloon model is featured above in Phytonic Blue metallic paint.

■ Standard equipment □ Optional equipment

M SPORT.

In addition / replacement to SE models

EXTERIOR

- 18" M light alloy Double-spoke style 662 M wheels (530e / 530e xDrive only)
- 19" M light alloy Y-spoke style 845 M wheels, Bicolour Jet Black (excludes 530e / 530e xDrive)
- M aerodynamics package
- M designation on front side panel, left and right, in Chrome
- M door sill finishers
- M-specific pedals
- M-specific floor mats
- Exterior trim, High-gloss Shadowline
- BMW Individual roof rails, High-gloss Shadowline (Touring only)

INTERIOR

- M leather steering wheel
- Sport seats, front
- Interior trim, Aluminium Rhombicle Smoke Grey
- BMW Individual headlining, Anthracite
- Instrument panel in Sensatec

SAFETY & TECHNOLOGY

- M Sport braking system (530d xDrive / 530e / 530e xDrive / 540i xDrive / 545e xDrive only)
- M Sport suspension (excludes 530e / 530e xDrive / 545e xDrive)

SE.



The new BMW 5 Series SE Touring model is shown above in Sophisto Grey metallic paint.

■ Standard equipment □ Optional equipment

SE.

EXTERIOR

- 17" light alloy V-spoke style 618 wheels (520i / 520d / 520d xDrive only)
- 18" light alloy Multi-spoke style 619 wheels (530d xDrive / 530e / 530e xDrive / 540i xDrive / 545e xDrive only)
- Metallic paint (530d xDrive / 530e / 530e xDrive / 540i xDrive / 545e xDrive only)
- Exhaust tailpipe, visible, trapezoidal
- Active Air Stream Kidney grille, High-gloss Black
- Brake lights with LED technology, Dynamic
- Roof rails, Matt Silver (Touring only)
- Tailgate operation, automatic (Touring only)

INTERIOR

- Ambient lighting
- Air conditioning, automatic with two-zone control
- Interior trim, Oxide silver Dark Matt
- Luggage compartment dividing net, retractable (Touring only)
- Split-folding rear seat (40:20:40) with additional release mechanism in luggage compartment (Touring only)
- Sport leather steering wheel, three-spoke
- Seat heating, front
- Floor mats, velour

SAFETY & TECHNOLOGY

- 48V Mild Hybrid Technology (excludes 530e / 530e xDrive / 545e xDrive)
- LED Headlights
- Eight-speed automatic transmission with gearshift paddles (520i / 520d / 520d xDrive only)
- Eight-speed Sport automatic transmission with gearshift paddles (530d xDrive / 530e / 530e xDrive / 540i xDrive / 545e xDrive only)
- Parking Assistant
- Cruise control with brake function
- Rain sensor with automatic headlight activation
- Tyre pressure monitoring

AUDIO & COMMUNICATION

- BMW Live Cockpit Professional, comprising:
 - 12.3" Control Display with Touch Functionality
 - 12.3" Digital Instrument Display
 - BMW Intelligent Personal Assistant
 - BMW Navigation system
 - BMW Operating System 7.0
 - Digital Driver Cockpit
 - Intelligent Functionalities
 - Remote Software Upgrade
- Connected Package Professional



PLUG-IN HYBRID ELECTRIC VEHICLES.

Featuring innovative BMW eDrive and EfficientDynamics technologies, the BMW 530e and 530e xDrive, available on Saloon and Touring, as well as the 545e xDrive Saloon provide impressive levels of performance and efficiency. Offering the best of both worlds, this Plug-in Hybrid Electric Vehicle (PHEV) combines a powerful petrol engine with an electric motor that is powered by a lithium-ion battery, overall providing an exceptional pure electric driving range with the flexibility of a combustion engine. Plug-in Hybrid Electric Vehicles available on the 5 Series are everything you would expect from a BMW and more, with electrifying driving pleasure, this represents the future of the Ultimate Driving Machine.

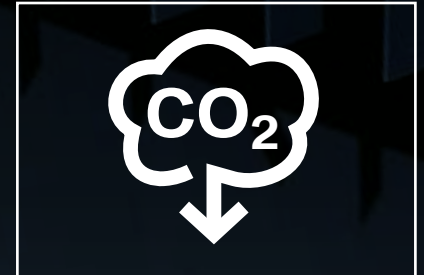
Experience the Plug-in Hybrid Electric Vehicles on the 5 Series - charge into the future today.



Pure electric range for Saloon models: 29.2-37.3 miles (47-60km)*
Pure electric range for Touring models: 31.7-35.4 miles (51-57km)*



Charging time 0-80% in <2.6 hours (based on a current of 16A)^



Low CO₂ emissions for Saloon models from 50-31g/km*
Low CO₂ emissions for Touring models from 45-35g/km*

The new BMW 5 Series 530e M Sport Saloon model is shown above in Phytonic Blue metallic paint. ^ = Dependent on the local electricity infrastructure. Charging time corresponds to a charge of 80% of maximum capacity and based on a single-phase supply current of max 32A. * = These figures were obtained using a combination of battery power and fuel. The BMW 530 and 530e xDrive Saloon and Touring, as well as the 545e xDrive Saloon, are Plug-in Hybrid Electric Vehicles requiring mains electricity for charging. Figures shown are for comparability purposes. Only compare fuel consumption, CO₂ and electric range figures with other cars tested to the same technical procedures. These figures may not reflect real life driving results, which will depend upon a number of factors including, accessories fitted (post-registration), variations in weather, driving styles and vehicle load. The CO₂ figures have been determined according to the WLTP test. WLTP has been used as the applicable CO₂ figure from 1 April 2020 for first year vehicle tax (VED) and from 6 April 2020 for company car tax (BIK). The CO₂ figures were previously based on the NEDC equivalent.



[Click here](#) to discover the key benefits of the BMW PHEV range.

■ Standard equipment □ Optional equipment

PLUG-IN HYBRID ELECTRIC VEHICLES.

Featuring innovative BMW eDrive and EfficientDynamics technologies, the BMW 530e and 530e xDrive, available on Saloon and Touring, as well as the 545e xDrive Saloon provide impressive levels of performance and efficiency. Offering the best of both worlds, this Plug-in Hybrid Electric Vehicle (PHEV) combines a powerful petrol engine with an electric motor that is powered by a lithium-ion battery, overall providing an exceptional pure electric driving range with the flexibility of a combustion engine. Plug-in Hybrid Electric Vehicles available on the 5 Series are everything you would expect from a BMW and more, with electrifying driving pleasure, this represents the future of the Ultimate Driving Machine.

Experience the Plug-in Hybrid Electric Vehicles on the 5 Series - charge into the future today.



Equipment in addition / replacement to 520d / 520d xDrive / 520i SE models

EXTERIOR


- 18" light alloy Multi-spoke style 619 wheels
- eDrive exterior sound

SAFETY & TECHNOLOGY

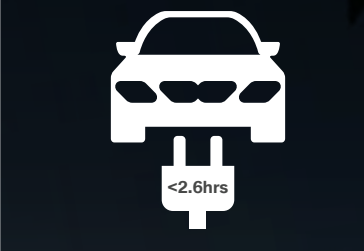
- Eight-speed Sport automatic transmission with gearshift paddles
- BMW TwinPower Turbo six cylinder in-line petrol engine (545e xDrive Saloon only)
 - VALVETRONIC with Double-VANOS
 - Single TwinScroll turbocharger
- Driving experience switch specific to 545e xDrive
- BMW TwinPower Turbo four-cylinder in-line petrol engine (530e / 530e xDrive only)
 - High-precision direct injection
 - Variable vane geometry
 - Single turbo
- xDrive (xDrive models only)
- Digital Instrument display with hybrid-specific functions
- Electric motor
- Pre-heating or cooling before departure

BATTERY & CHARGING

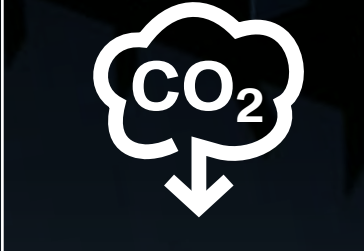
- AC fast charge cable
- Standard charge cable, 5 metres in length
- Lithium-ion Battery 12kwh
- Connected Charging
- Illuminated charging socket with visual display of charge status
- XtraBoost Driving Mode (530e / 530e xDrive only)
- Stationary Cooling
- Charging flap in front side panel, left



Pure electric range for Saloon models: 29.2-37.3 miles (47-60km)*
Pure electric range for Touring models: 31.7-35.4 miles (51-57km)*



Charging time 0-80% in <2.6 hours (based on a current of 16A)^



Low CO₂ emissions for Saloon models from 50-31g/km*
Low CO₂ emissions for Touring models from 45-35g/km*

The new BMW 5 Series 530e M Sport Saloon model is shown above in Phytonic Blue metallic paint. ^ = Dependent on the local electricity infrastructure. Charging time corresponds to a charge of 80% of maximum capacity and based on a single-phase supply current of max 32A. * = These figures were obtained using a combination of battery power and fuel. The BMW 530 and 530e xDrive Saloon and Touring, as well as the 545e xDrive Saloon, are Plug-in Hybrid Electric Vehicles requiring mains electricity for charging. Figures shown are for comparability purposes. Only compare fuel consumption, CO₂ and electric range figures with other cars tested to the same technical procedures. These figures may not reflect real life driving results, which will depend upon a number of factors including, accessories fitted (post-registration), variations in weather, driving styles and vehicle load. The CO₂ figures have been determined according to the WLTP test. WLTP has been used as the applicable CO₂ figure from 1 April 2020 for first year vehicle tax (VED) and from 6 April 2020 for company car tax (BIK). The CO₂ figures were previously based on the NEDC equivalent.



Click here to discover the key benefits of the BMW PHEV range.

■ Standard equipment □ Optional equipment

EXTERIOR COLOURS.

EXCLUSIVELY FOR SE MODELS.



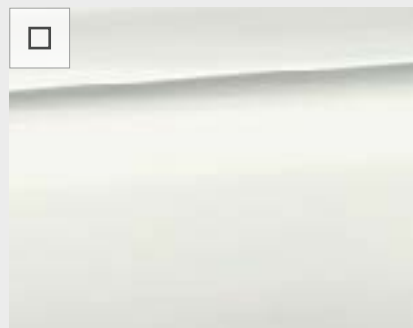
Metallic Glacier Silver



Metallic Mineral White

Standard for 530d xDrive, 530e, 530e xDrive, 540i xDrive and 545e xDrive models.

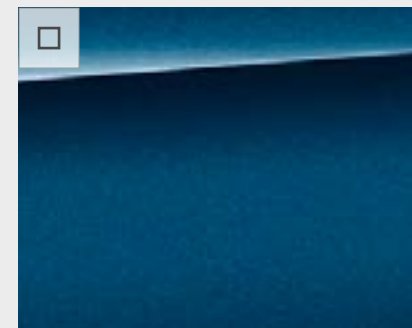
EXCLUSIVELY FOR SE, M SPORT & M550i xDRIVE MODELS.



Non-metallic Alpine White¹



Metallic Sophisto Grey²



Metallic Phytonic Blue²

EXCLUSIVELY FOR M SPORT & M550i MODELS.



Metallic Carbon Black



Metallic Bluestone²



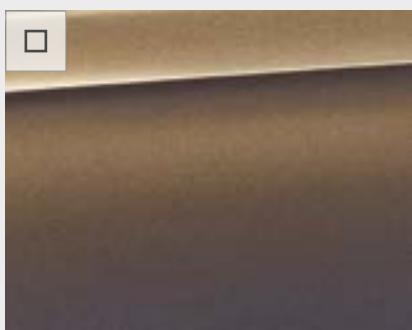
Metallic Bernina Grey²



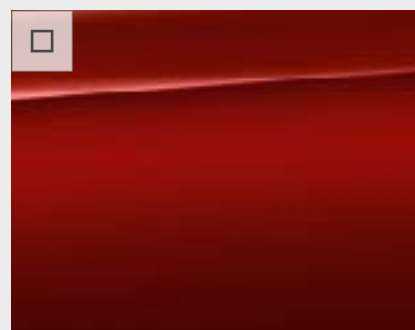
Metallic Black Sapphire²

¹ = Standard for 520i, 520d and 520d xDrive models. ² = Standard for 530d xDrive, 530e, 530e xDrive, 540i xDrive and 545e xDrive models.

BMW INDIVIDUAL.
EXCLUSIVELY FOR SE, M SPORT & M550i xDRIVE MODELS.



Metallic Alvite Grey



Metallic Aventurine Red

BMW INDIVIDUAL.
EXCLUSIVELY FOR M SPORT EDITION MODELS.



Metallic Tanzanite Blue



Metallic Donington Grey³

³ = When ordered in combination with Driving Assistant Professional certain functions under the Lane change assistant are deactivated. For further details, please speak to your local BMW Centre.

Colour samples These colour samples are intended as an initial guide to the colours and materials available for your BMW. Please discuss your preferred colour choices with your BMW Centre. There you can also see original samples and be assisted with any requests.

■ Standard equipment □ Optional equipment

UPHOLSTERY.

DAKOTA LEATHER.



Ivory White with Exclusive stitching and contrast piping¹

- Available with
- SE
 - M Sport
 - M550i xDrive



Black with Exclusive stitching and contrast piping¹

- Available with
- SE
 - M Sport
 - M550i xDrive



Cognac with Exclusive stitching and contrast piping

- Available with
- SE
 - M Sport
 - M550i xDrive



Black with contrast stitching in Blue²

- Available with
- M Sport
 - M Sport Edition
 - M550i xDrive

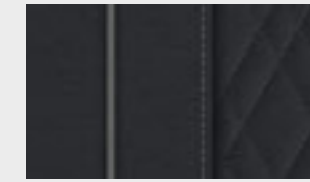
¹ = Not available with Comfort Plus Pack. ² = Not available with Comfort Pack / Comfort Plus Pack (M Sport and M550i models).

EXCLUSIVE NAPPA LEATHER.



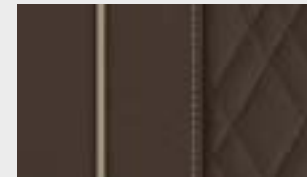
Ivory White with Exclusive stitching and contrast piping

- Available with
- SE
 - M Sport
 - M550i xDrive



Black with Exclusive stitching and contrast piping

- Available with
- SE
 - M Sport
 - M550i xDrive



Mocha with Exclusive stitching and contrast piping

- Available with
- SE
 - M Sport
 - M550i xDrive

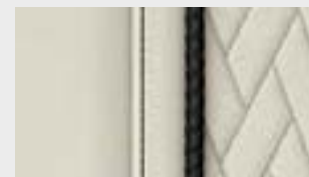
Only available with Comfort Pack / Comfort Plus Pack.

BMW INDIVIDUAL FULL MERINO LEATHER.



Caramel

- Available with
- SE
 - M Sport
 - M550i xDrive



Smoke White

- Available with
- SE
 - M Sport
 - M550i xDrive



Tartufo

- Available with
- SE
 - M Sport
 - M550i xDrive

Only available with BMW Individual instrument panel finished in leather, BMW Individual headlining in Anthracite / BMW Individual headlining in Alcantara Anthracite + Comfort Pack / Comfort Plus Pack.

INTERIOR TRIMS.

INTERIOR TRIMS.



Oxide Silver
Dark Matt

Available with
■ SE



Aluminium
Rhombicle Smoke
Grey

Available with
■ M Sport
■ M Sport Edition
■ M550i xDrive



Finewood Fineline
Ridge

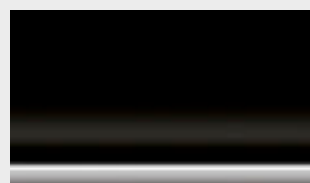
Available with
□ SE
□ M Sport
□ M550i xDrive



Finewood Ash
Trunkwood
open-pored

Available with
□ SE
□ M Sport
□ M550i xDrive

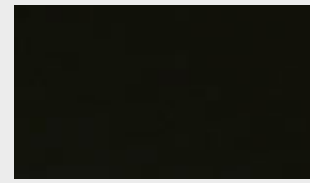
BMW INDIVIDUAL INTERIOR TRIMS.



Piano Black

Available with
□ SE
□ M Sport
□ M550i xDrive

BMW INDIVIDUAL HEADLINING.



Anthracite

Available with
□ SE
■ M Sport
■ M Sport Edition
■ M550i xDrive

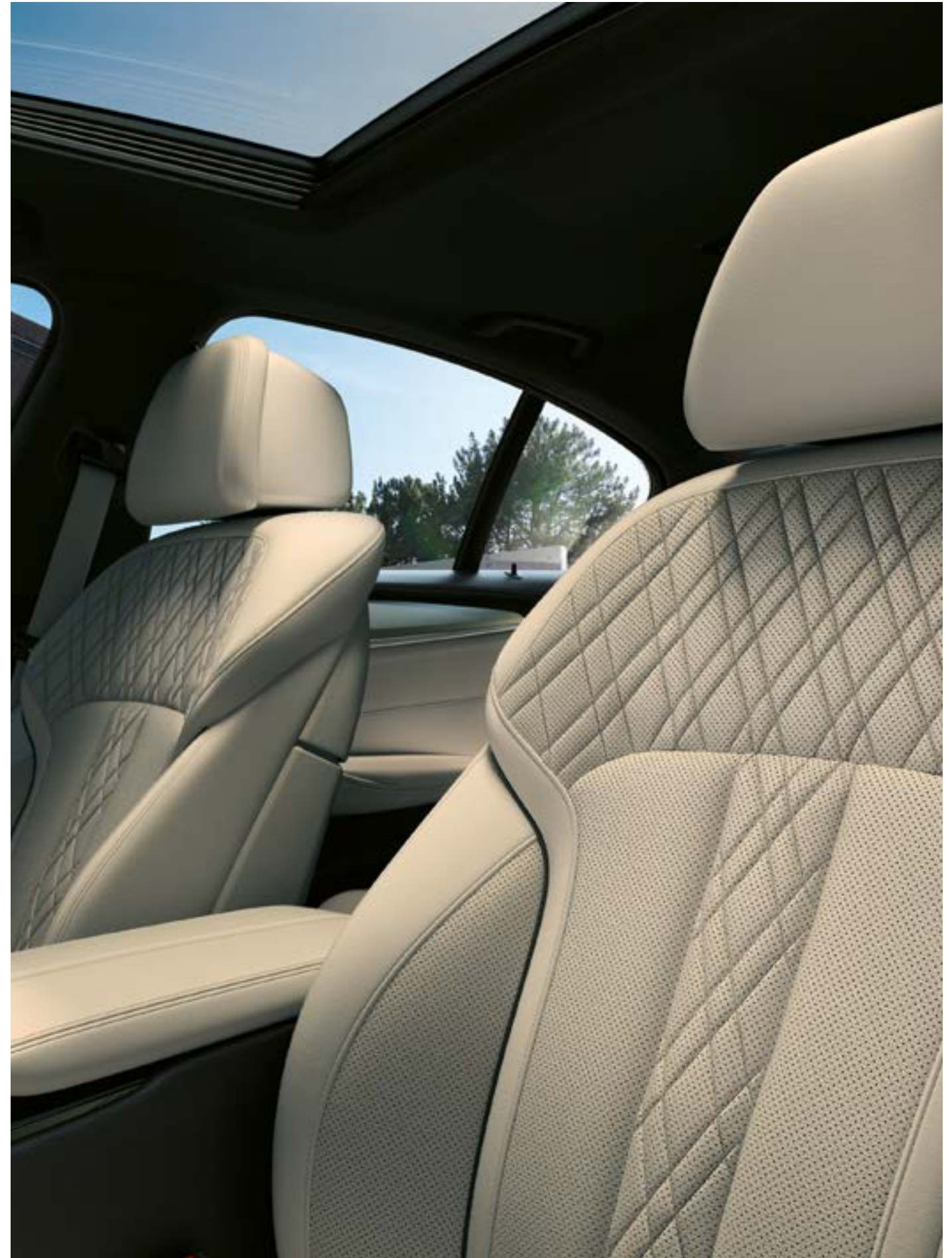
HEADLINING.



Alcantara
Anthracite

Available with
□ SE
□ M Sport
□ M Sport Edition
□ M550i xDrive

Exclusively for Saloon.



PACKAGES.

Optional packages offer an attractive combination of the most popular options at a reduced (combined) cost and will enhance any journey in new BMW 5 Series Saloon and Touring.

TECHNOLOGY PACK.

- BMW Gesture Control
- Enhanced Bluetooth with wireless charging
- Head-up Display
- Loudspeaker system – harman/kardon
- WiFi hotspot preparation

Alternative content:

- Bowers & Wilkins Diamond Surround Sound System



TECHNOLOGY PLUS PACK.

Comprises all equipment from Technology Pack, plus:

- Drive Recorder
- Driving Assistant Professional
- Parking Assistant Plus



M SPORT PRO PACK.

- 19" M light alloy Y-spoke style 845 M wheels, Bicolour Jet Black (530e / 530e xDrive only)
- 20" M light alloy Y-spoke style 846 M wheels, Bicolour¹
- Adaptive suspension (530d xDrive / 530e / 530e xDrive / 540i xDrive / 545e xDrive only)
- Exterior trim, Extended High-gloss Shadowline
- M seat belts
- M Sport braking system, High-gloss Blue (520i / 520d / 530d xDrive only)
- M rear spoiler (Saloon only)
- Sun protection glass

Alternative content:

- M Sport braking system, High-gloss Red



Exclusively available for M Sport models ¹ = Can be selected on 530e / 530e xDrive Saloon models as a pack alternative to 19" M light alloy Y-spoke style 845 M wheels, Bicolour Jet Black.

VISIBILITY PACK.

- Adaptive LED Headlights
- High-beam Assistant
- Alternative content:
- BMW Laserlights



ENTERTAINMENT PACK.

- Rear-seat Entertainment Professional
- TV function plus



COMFORT PACK.

- Automatic tailgate operation (Saloon only)
- Comfort Access
- Comfort seats, front, electrically adjustable (excludes M Sport Edition)
- Steering wheel heating
- Luggage compartment package (Touring only)



COMFORT PLUS PACK.

Comprises all equipment from Comfort Pack, plus:

- Active seat ventilation (excludes M Sport Edition)
- Air conditioning, automatic with four-zone control
- Massage function, front (excludes M Sport Edition)
- Seat heating, front and rear



OPTIONAL EQUIPMENT HIGHLIGHTS.

STEERING WHEEL HEATING.

At the touch of a button, the steering wheel heating quickly warms up the steering wheel rim to a pleasant temperature. The steering wheel gives you a pleasant warm feeling even when it's cold outside, allowing you to comfortably and safely steer the vehicle without the encumbrance of gloves – a great boost in comfort, especially during the winter months. The activation button is easily accessible directly on the steering wheel.

Only with Seat heating, front / Seat heating, front and rear. Included in Comfort Pack / Comfort Plus Pack.



AIR CONDITIONING, AUTOMATIC WITH FOUR-ZONE CONTROL.

The automatic air conditioning with four-zone control allows individual climate comfort for you and your front passenger as well as for the right and left rear passengers. The fully automatic temperature control has five levels of intensity. It is controlled by means of separate displays for the driver and passenger as well as the rear seat passengers. Includes two outlets in the B-pillars.

Exclusively available with Comfort Plus Pack. Standard for M550i xDrive models.



TOWBAR, FULLY ELECTRIC.

The towbar is concealed and permanently installed behind the bumper. It is released and retracted electrically by means of a button in the luggage compartment. Supplied with a 13-pin European electrical socket and adaptor to convert to 7-pin.

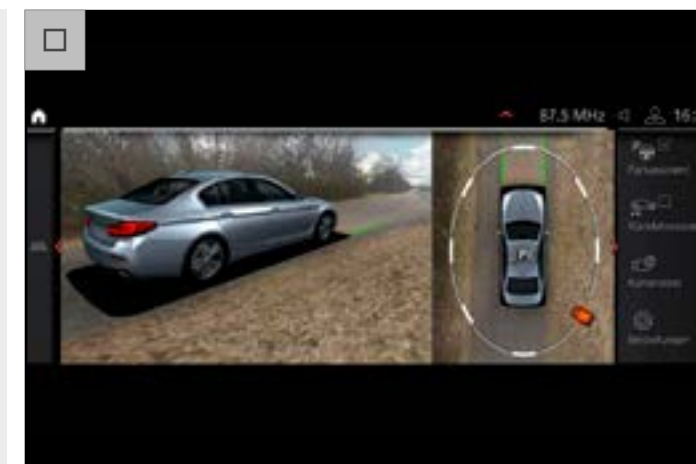
Additional wiring connectors may be required depending on towing usage (available through BMW Aftersales).



PARKING ASSISTANT PLUS.

Parking Assistant Plus makes parking and manoeuvring the vehicle easier. It includes all the features of Parking Assistant plus Surround View and Remote 3D View.

Included in Technology Plus Pack.



BMW INDIVIDUAL LIGHTS SHADOWLINE.

A defining feature. The BMW Individual Lights Shadowline exterior trim includes a Black border above the headlights, which creates an unmistakable and striking design.

Exclusively available for M Sport models with Visibility Pack. Standard for M Sport Edition and M550i xDrive models.



LOUDSPEAKER SYSTEM – HARMAN/KARDON.

The harman/kardon loudspeaker system has a 464W digital amplifier, nine channels and 16 speakers. Its sophisticated sound perfectly fills the interior space.

Included in Technology Pack / Technology Plus Pack. Standard for M550i xDrive models.



SUN PROTECTION GLASS.

The sun protection glass prevents the interior from heating up when exposed to direct sunlight. The darker glass behind the B-pillars absorbs more sunlight. The tinted glass does not hinder outward visibility, but offers more privacy in the rear.

Included in M Sport Pro Pack. Standard for M Sport Edition and M550i xDrive models.



BOWERS & WILKINS DIAMOND SURROUND SOUND SYSTEM.

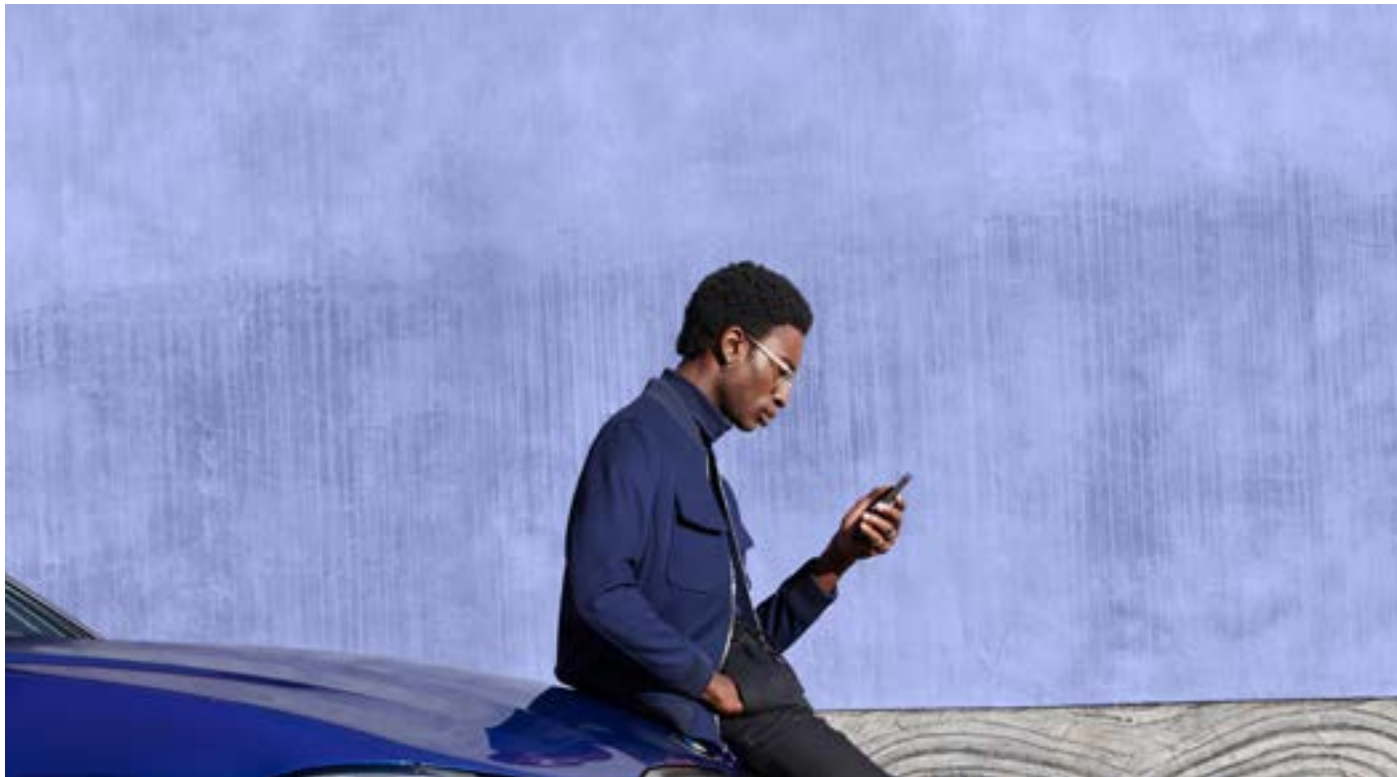
Heighten your senses on every journey. The Bowers & Wilkins Diamond Surround Sound System with 1,400W amplifier and two Diamond Dome tweeters features outstanding studio-quality sound for every seat in the car. The 16 carefully positioned speakers ensure a mesmerising sound experience. The speakers are illuminated, visually emphasising the system's outstanding sound quality.

Included in Technology Pack / Technology Plus Pack.



BMW CONNECTED DRIVE.

BMW ConnectedDrive enables you to remain connected to the outside world from the comfort of your BMW.



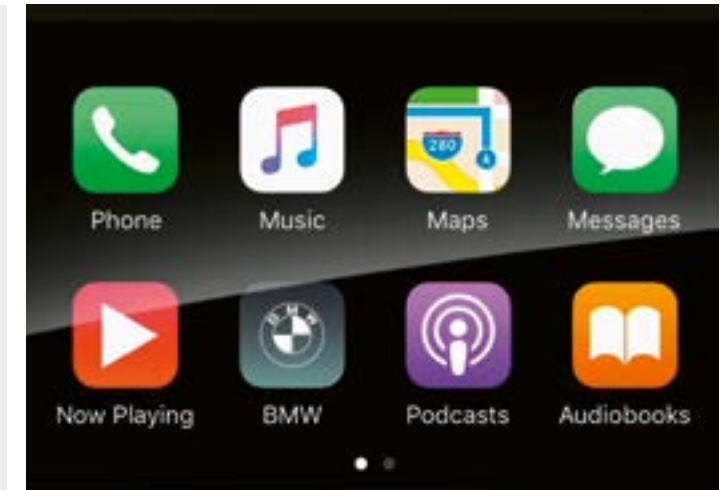
■ BMW LIVE COCKPIT PROFESSIONAL

- **BMW Apps** makes it possible to operate apps such as BMW Connected.
- **BMW Emergency Call** automatically creates a direct link to the local emergency services.
- **BMW Intelligent Personal Assistant** understands natural speech. It interacts with your BMW and has the ability to learn driver preferences
- **BMW Online Services** provides a seamless integration of personalised BMW Connected mobility-related services.
- **BMW Teleservices** supports the processing of servicing appointments and sends vehicle-specific service data to BMW.
- **Intelligent Functionalities** creates customised rules and learns the driver's habits to enable greater comfort on every journey.
- **Last State Call** transfers vehicle-based data to the BMW Connected App, allowing you to view current mileage, fuel status and other features from your phone.
- **Map updates** automatically updates the maps in your BMW by downloading them over the air.



■ CONNECTED PACKAGE PROFESSIONAL.

- **BMW Maps** makes route planning easier, anticipates road conditions and provides an estimated time of arrival.
- **Concierge Services** connects the driver to a BMW Call Centre agent around-the-clock.
- **Connected Charging** enables the search and display of charging points, as well as the display of range and charging features for Plug-in Hybrid Electric Vehicles.
- The integrated **eDrive Zones**, for certain cities (London and Birmingham), ensures automatic switch to electric driving within set zones for Plug-in Hybrid Electric vehicles.
- **Connected Music** offers unlimited streaming of millions of songs in the vehicle from Spotify.
- **Connected Parking** offers multi-story and on-street parking information in selected cities in the UK and Europe.
- **In-Car Experiences** takes care of you and adapts the interior ambience to suit your mood.
- **Real Time Traffic Information** supplies details about the location and duration of traffic delays.
- **Remote Services** allows you to remain connected to your vehicle from your phone.
- With **Smartphone Integration**, your vehicle supports Apple CarPlay® and Android Auto®. This way you can access your usual apps in the vehicle.



■ CONNECTED TEASER.

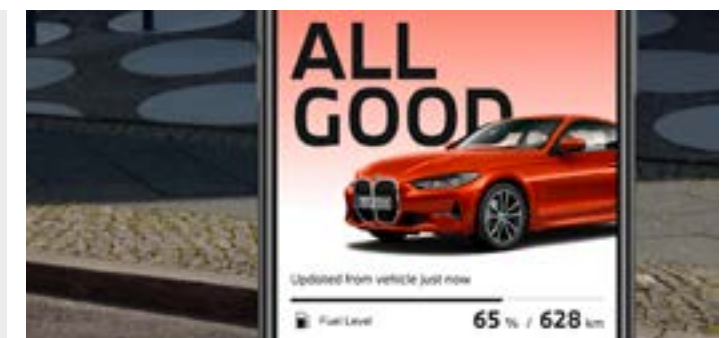
Available with Connected Package Professional and offers a three month trial of the following service:

- **BMW Music** is powered by Napster and brings your favourite music to your BMW.



MY BMW APP.

The My BMW App is the direct connection inside and outside your BMW. Plan your next trip, check the status of your vehicle or use one of the remote service functions – all conveniently from your smartphone.



The information above is subject to change. Actual Control Display and content on the new BMW 5 Series Saloon and Touring may vary from the images shown. For further details on these services, see [BMW ConnectedDrive Services](#).

■ Standard equipment □ Optional equipment

WHEELS & TYRES.

20" M LIGHT ALLOY Y-SPOKE STYLE 846 M WHEELS, BICOLOUR JET BLACK.

20" M light alloy Y-spoke style 846 M wheels, Bicolour Jet Black, front 8 J x 20 with 245/35 R20, rear 9 J x 20 with 275/30 R20 run-flat tyres.

Optional for M Sport and M550i xDrive models. Included in M Sport Pro Pack, excludes 530e / 530e Touring models.



20" M EDITION STYLE 1001 M WHEELS.

20" M light alloy M Edition style 1001 M wheels, front 8 J x 20 with 245/35 R20, rear 9 J x 20 with 275/30 R20 tyres.

Standard for M Sport Edition models.



20" M LIGHT ALLOY DOUBLE-SPOKE STYLE 668 M WHEELS.

20" M light alloy Double-spoke style 668 M wheels, front 8 J x 20 with 245/35 R20, rear 9 J x 20 with 275/30 R20 run-flat tyres.

Standard for M550i xDrive models.



18" M LIGHT ALLOY DOUBLE-SPOKE STYLE 662 M WHEELS.

18" M light alloy Double-spoke style 662 M wheels, 8 J x 18 with 245/45 R18 tyres.

Standard for 530e / 530e xDrive M Sport models.



19" LIGHT ALLOY V-SPOKE STYLE 635 WHEELS, BICOLOUR.

19" light alloy V-spoke style 635 wheels, Bicolour, front 8 J x 19 with 245/40 R19, rear 9 J x 19 with 275/35 R19 tyres.

Optional for SE models.



19" M LIGHT ALLOY Y-SPOKE STYLE 845 M WHEELS, BICOLOUR JET BLACK.

19" M light alloy Y-spoke style 845 M wheels, Jet Black, front 8 J x 19 with 245/40 R19, rear 9 J x 19 with 275/35 R19 tyres.

Standard for M Sport models, excludes 530e / 530e models. Optionally available for 530e / 530e Saloon models.



18" LIGHT ALLOY DOUBLE-SPOKE STYLE 844 WHEELS.

18" light alloy Double-spoke style 844 wheels, 8 J x 18 with 245/45 R18 tyres.

Optional for SE models.



18" LIGHT ALLOY MULTI-SPOKE STYLE 619 WHEELS.

18" light alloy Multi-spoke style 619 wheels, 8 J x 18 with 245/45 R18 tyres.

Standard for 530d xDrive / 530e / 530e xDrive / 540i xDrive / 545e xDrive SE models.



17" LIGHT ALLOY V-SPOKE STYLE 618 WHEELS.

17" light alloy V-spoke style 618 wheels, 7.5 J x 17 with 225/55 R17 tyres.

Standard for 520i / 520d / 520d xDrive SE models.



GENUINE BMW ACCESSORIES.

ROOF BOX, BLACK.

The modern BMW roof box in Black with Titanium Silver side panels has a storage capacity of 420 litres and is compatible with all BMW roof rack systems. Due to the fact that it can be opened from both sides and has triple central locking on each side it is convenient to load and lock for theft protection. BMW roof boxes in other sizes are also available.



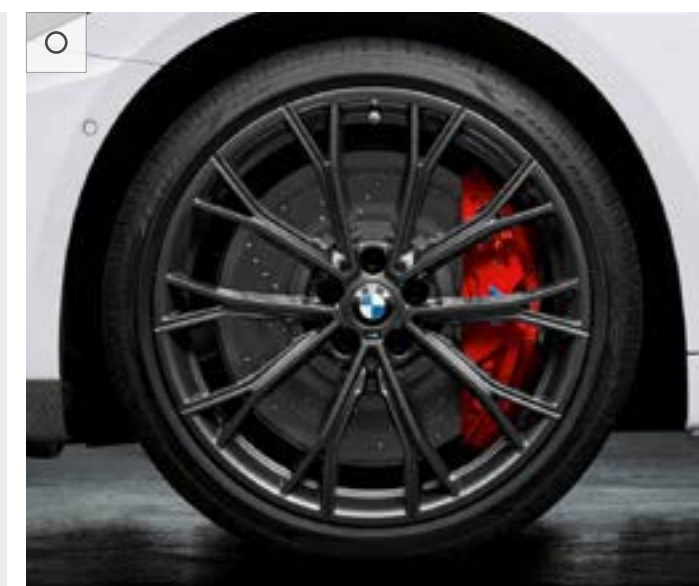
ALL-WEATHER FLOOR MATS.

The BMW All-weather Floor Mats ensure precisely fitted protection against moisture and dirt in the front footwell. Featuring a Black design with a stainless steel inlay, they perfectly complement the interior.



20" M PERFORMANCE LIGHT ALLOY DOUBLE-SPOKE STYLE 669 M WHEELS

The weight-optimised, forged M Performance alloy wheel impresses with the elegant design of its two-dimensional dual spokes. The Styling 669 M is available in the two exclusive matt black with milled spokes and Orbit grey painted versions.



BMW ADVANCED CAR EYE.

BMW Advanced Car Eye 2.0 is a highly sensitive full HD camera, which automatically records what is going on around the vehicle during disturbances and driving situations.



LUGGAGE COMPARTMENT MAT.

Anti-slip, water-resistant mat for protecting the luggage compartment from dirt and moisture.



BMW REAR BIKE CARRIER.

The BMW Rear Bike Carrier is lightweight yet sturdy and can carry up to 60kg. Exceptionally easy to use, it carries two bicycles or e-bikes. Its tilt function also allows easy access to the luggage compartment at all times.



ROOF BARS.

BMW Roof Bars allow you to carry a number of items on the roof of your car, including roof boxes and bike carriers.



PRICING INFORMATION.

THE BMW 5 SERIES SALOON PETROL.



	520i SE	520i M Sport	520i M Sport Edition	M550i xDrive
--	---------	--------------	----------------------	--------------

Basic price (excluding VAT)	£31,800.00	£34,716.67	£38,466.67	£57,175.00
VAT 20%	£6,360.00	£6,943.33	£7,693.33	£11,435.00
RRP (including VAT)	£38,160	£41,660	£46,160	£68,610
On the road price from	£39,270	£42,770	£47,270	£71,365
P11d value – Automatic	£39,010	£42,510	£47,010	£69,460
BIK tax rate (2020 / 2021)	32%-31%	34%-32%	33%-31%	37%
Insurance group	32	33	34	44
RDE2 Compliant (Y / N)	Y	Y	Y	Y

PRICES AND SPECIFICATIONS

BMW (UK) Limited reserves the right to alter prices and specifications without notice. BMW (UK) Limited has made every effort to ensure the accuracy of information but does not accept liability for any errors or omissions.

VED RATES

Annual VED (second year onwards), for cars costing over £40,000, is payable for five years. VED rates for brand new cars are determined by their CO₂ emissions figure. First year VED applies to the first year of ownership. Annual VED rates apply thereafter. The new BMW 5 Series Saloon models fall into one of the categories listed below:

CO ₂ emissions (g/km)	01-50	51-75	76-90	91-100	101-110	111-130	131-150	151-170	171-190	191-225	226-255	Over 255
First year VED (petrol and RDE2 diesel)	£10	£25	£110	£135	£155	£175	£215	£540	£870	£1,305	£1,850	£2,175
Annual VED – second year onwards (standard rate for petrol and diesel)	£150	£150	£150	£150	£150	£150	£150	£150	£150	£150	£150	£150
Annual VED – second year onwards (petrol and diesel cars over £40,000)	£475	£475	£475	£475	£475	£475	£475	£475	£475	£475	£475	£475

ON THE ROAD PRICE

The recommended on the road price includes:

Delivery and BMW Emergency Service	£825
Number plates	£25
Vehicle first registration fee	£55
First year Vehicle Excise Duty	See left

Figures shown are for comparability purposes. Only compare fuel consumption, CO₂ and electric range figures with other cars tested to the same technical procedures. These figures may not reflect real life driving results, which will depend upon a number of factors including the starting charge of the battery, accessories fitted (post-registration), variations in weather, driving styles and vehicle load. The CO₂ figures have been determined according to the WLTP test. WLTP has been used as the applicable CO₂ figure from 1 April 2020 for first year vehicle tax (VED) and from 6 April 2020 for company car tax (BIK). The CO₂ figures were previously based on the NEDC equivalent. Insurance group figures refer to 50 Group Rating System.

PRICING INFORMATION.

THE BMW 5 SERIES SALOON
PLUG-IN HYBRID ELECTRIC VEHICLES.



530e SE	530e M Sport	530e M Sport Edition	530e xDrive SE	530e xDrive M Sport	530e xDrive M Sport Edition	545e xDrive SE	545e xDrive M Sport	545e xDrive M Sport Edition
---------	--------------	----------------------	----------------	---------------------	-----------------------------	----------------	---------------------	-----------------------------

Basic price (excluding VAT)	£39,933.33	£42,850.00	£46,600.00	£41,600.00	£44,516.67	£48,266.67	£46,545.83	£49,462.50	£53,212.50
VAT 20%	£7,986.67	£8,570.00	£9,320.00	£8,320.00	£8,903.33	£9,653.33	£9,309.17	£9,892.50	£10,642.50
RRP (including VAT)	£47,920	£51,420	£55,920	£49,920	£53,420	£57,920	£55,855	£59,355	£63,855
On the road price from	£48,825	£52,325	£56,825	£50,825	£54,325	£58,825	£56,760	£60,260	£64,760
P11d value – Automatic	£48,770	£52,270	£56,770	£50,770	£54,270	£58,770	£56,705	£60,205	£64,705
BIK tax rate (2020 / 2021)	10%	10%	10%	10%	12-10%	10%	10%	12%-10%	10%
Insurance group	39	40	40	40	40	41	TBC	TBC	TBC
RDE2 Compliant (Y / N)	Y	Y	Y	Y	Y	Y	Y	Y	Y

PRICES AND SPECIFICATIONS

BMW (UK) Limited reserves the right to alter prices and specifications without notice. BMW (UK) Limited has made every effort to ensure the accuracy of information but does not accept liability for any errors or omissions.

VED RATES

Annual VED (second year onwards), for cars costing over £40,000, is payable for five years. VED rates for brand new cars are determined by their CO₂ emissions figure. First year VED applies to the first year of ownership. Annual VED rates apply thereafter. The new BMW 5 Series Saloon models fall into one of the categories listed below:

CO ₂ emissions (g/km)	01-50	51-75	76-90	91-100	101-110	111-130	131-150	151-170	171-190	191-225	226-255	Over 255
First year VED (alternative fuel vehicles)	£0	£15	£100	£125	£145	£165	£205	£530	£860	£1,295	£1,840	£2,165
Annual VED – second year onwards (alternative fuel vehicles over £40,000)	£465	£465	£465	£465	£465	£465	£465	£465	£465	£465	£465	£465

ON THE ROAD PRICE

The recommended on the road price includes:

Delivery and BMW Emergency Service	£825
Number plates	£25
Vehicle first registration fee	£55
First year Vehicle Excise Duty	See left

Figures shown are for comparability purposes. Only compare fuel consumption, CO₂ and electric range figures with other cars tested to the same technical procedures. These figures may not reflect real life driving results, which will depend upon a number of factors including the starting charge of the battery, accessories fitted (post-registration), variations in weather, driving styles and vehicle load. The CO₂ figures have been determined according to the WLTP test. WLTP has been used as the applicable CO₂ figure from 1 April 2020 for first year vehicle tax (VED) and from 6 April 2020 for company car tax (BIK). The CO₂ figures were previously based on the NEDC equivalent. Insurance group figures refer to 50 Group Rating System.

PRICING INFORMATION.

THE BMW 5 SERIES SALOON DIESEL.



520d SE	520d M Sport	520d M Sport Edition	520d xDrive SE	520d xDrive M Sport	520d xDrive M Sport Edition	530d xDrive SE	530d xDrive M Sport	530d xDrive M Sport Edition
---------	--------------	----------------------	----------------	---------------------	-----------------------------	----------------	---------------------	-----------------------------

Basic price (excluding VAT)	£32,658.33	£35,575.00	£39,325.00	£34,325.00	£37,241.67	£40,991.67	£41,375.00	£44,291.67	£48,041.67
VAT 20%	£6,531.67	£7,115.00	£7,865.00	£6,865.00	£7,448.33	£8,198.33	£8,275.00	£8,858.33	£9,608.33
RRP (including VAT)	£39,190	£42,690	£47,190	£41,190	£44,690	£49,190	£49,650	£53,150	£57,650
On the road price from	£40,260	£43,760	£48,260	£42,300	£45,800	£50,300	£50,760	£54,260	£58,760
P11d value – Automatic	£40,040	£43,540	£48,040	£42,040	£45,540	£50,040	£50,500	£54,000	£58,500
BIK tax rate (2020 / 2021)	29%-28%	31%-28%	30%-28%	31%-29%	33%-30%	32%-29%	32%-31%	34%-32%	32%-31%
Insurance group	34	35	36	35	36	37	42	43	43
RDE2 Compliant (Y / N)	Y	Y	Y	Y	Y	Y	Y	Y	Y

PRICES AND SPECIFICATIONS

BMW (UK) Limited reserves the right to alter prices and specifications without notice. BMW (UK) Limited has made every effort to ensure the accuracy of information but does not accept liability for any errors or omissions.

VED RATES

Annual VED (second year onwards), for cars costing over £40,000, is payable for five years. VED rates for brand new cars are determined by their CO₂ emissions figure. First year VED applies to the first year of ownership. Annual VED rates apply thereafter. The new BMW 5 Series Saloon models fall into one of the categories listed below:

CO ₂ emissions (g/km)	01-50	51-75	76-90	91-100	101-110	111-130	131-150	151-170	171-190	191-225	226-255	Over 255
First year VED (petrol and RDE2 diesel)	£10	£25	£110	£135	£155	£175	£215	£540	£870	£1,305	£1,850	£2,175
Annual VED – second year onwards (standard rate for petrol and diesel)	£150	£150	£150	£150	£150	£150	£150	£150	£150	£150	£150	£150
Annual VED – second year onwards (petrol and diesel cars over £40,000)	£475	£475	£475	£475	£475	£475	£475	£475	£475	£475	£475	£475

ON THE ROAD PRICE

The recommended on the road price includes:

Delivery and BMW Emergency Service	£825
Number plates	£25
Vehicle first registration fee	£55
First year Vehicle Excise Duty	See left

Figures shown are for comparability purposes. Only compare fuel consumption, CO₂ and electric range figures with other cars tested to the same technical procedures. These figures may not reflect real life driving results, which will depend upon a number of factors including the starting charge of the battery, accessories fitted (post-registration), variations in weather, driving styles and vehicle load. The CO₂ figures have been determined according to the WLTP test. WLTP has been used as the applicable CO₂ figure from 1 April 2020 for first year vehicle tax (VED) and from 6 April 2020 for company car tax (BIK). The CO₂ figures were previously based on the NEDC equivalent. Insurance group figures refer to 50 Group Rating System.

PRICING INFORMATION.

THE BMW 5 SERIES TOURING PETROL.



520i SE	520i M Sport	520i M Sport Edition	540i xDrive SE	540i xDrive M Sport	540i xDrive M Sport Edition
---------	--------------	----------------------	----------------	---------------------	-----------------------------

Basic price (excluding VAT)	£33,675.00	£36,591.67	£40,341.67	£43,808.33	£46,770.83	£50,575.00
VAT 20%	£6,735.00	£7,318.33	£8,068.33	£8,761.67	£9,354.17	£10,115.00
RRP (including VAT)	£40,410	£43,910	£48,410	£52,570	£56,125	£60,690
On the road price from	£41,845	£45,345	£49,845	£54,335	£57,890	£62,455
P11d value – Automatic	£41,260	£44,760	£49,260	£53,420	£56,975	£61,540
BIK tax rate (2020 / 2021)	34%-33%	36%-33%	35%-33%	37%	37%	37%
Insurance group	32	33	34	41	42	42
RDE2 Compliant (Y / N)	Y	Y	Y	Y	Y	Y

PRICES AND SPECIFICATIONS

BMW (UK) Limited reserves the right to alter prices and specifications without notice. BMW (UK) Limited has made every effort to ensure the accuracy of information but does not accept liability for any errors or omissions.

VED RATES

Annual VED (second year onwards), for cars costing over £40,000, is payable for five years. VED rates for brand new cars are determined by their CO₂ emissions figure. First year VED applies to the first year of ownership. Annual VED rates apply thereafter. The new BMW 5 Series Touring models fall into one of the categories listed below:

CO ₂ emissions (g/km)	01-50	51-75	76-90	91-100	101-110	111-130	131-150	151-170	171-190	191-225	226-255	Over 255
First year VED (petrol and RDE2 diesel)	£10	£25	£110	£135	£155	£175	£215	£540	£870	£1,305	£1,850	£2,175
Annual VED – second year onwards (standard rate for petrol and diesel)	£150	£150	£150	£150	£150	£150	£150	£150	£150	£150	£150	£150
Annual VED – second year onwards (petrol and diesel cars over £40,000)	£475	£475	£475	£475	£475	£475	£475	£475	£475	£475	£475	£475

ON THE ROAD PRICE

The recommended on the road price includes:

Delivery and BMW Emergency Service	£825
Number plates	£25
Vehicle first registration fee	£55
First year Vehicle Excise Duty	See left

Figures shown are for comparability purposes. Only compare fuel consumption, CO₂ and electric range figures with other cars tested to the same technical procedures. These figures may not reflect real life driving results, which will depend upon a number of factors including the starting charge of the battery, accessories fitted (post-registration), variations in weather, driving styles and vehicle load. The CO₂ figures have been determined according to the WLTP test. WLTP has been used as the applicable CO₂ figure from 1 April 2020 for first year vehicle tax (VED) and from 6 April 2020 for company car tax (BIK). The CO₂ figures were previously based on the NEDC equivalent. Insurance group figures refer to 50 Group Rating System.

PRICING INFORMATION.

THE BMW 5 SERIES TOURING
PLUG-IN HYBRID ELECTRIC VEHICLES.



	530e SE	530e M Sport	530e xDrive SE	530e xDrive M Sport
Basic price (excluding VAT)	£41,808.33	£44,725.00	£43,475.00	£46,391.67
VAT 20%	£8,361.67	£8,945.00	£8,695.00	£9,278.33
RRP (including VAT)	£50,170	£53,670	£52,170	£55,670
On the road price from	£51,075	£54,575	£53,075	£56,575
P11d value – Automatic	£51,020	£54,520	£53,020	£56,520
BIK tax rate (2020 / 2021)	10%	10%	10%	10%
Insurance group	TBC	TBC	TBC	TBC
RDE2 Compliant (Y / N)	Y	Y	Y	Y

PRICES AND SPECIFICATIONS

BMW (UK) Limited reserves the right to alter prices and specifications without notice. BMW (UK) Limited has made every effort to ensure the accuracy of information but does not accept liability for any errors or omissions.

VED RATES

Annual VED (second year onwards), for cars costing over £40,000, is payable for five years. VED rates for brand new cars are determined by their CO₂ emissions figure. First year VED applies to the first year of ownership. Annual VED rates apply thereafter. The new BMW 5 Series Touring models fall into one of the categories listed below:

CO ₂ emissions (g/km)	01-50	51-75	76-90	91-100	101-110	111-130	131-150	151-170	171-190	191-225	226-255	Over 255
First year VED (alternative fuel vehicles)	£0	£15	£100	£125	£145	£165	£205	£530	£860	£1,295	£1,840	£2,165
Annual VED – second year onwards (alternative fuel vehicles over £40,000)	£465	£465	£465	£465	£465	£465	£465	£465	£465	£465	£465	£465

ON THE ROAD PRICE

The recommended on the road price includes:

Delivery and BMW Emergency Service	£825
Number plates	£25
Vehicle first registration fee	£55
First year Vehicle Excise Duty	See left

Figures shown are for comparability purposes. Only compare fuel consumption, CO₂ and electric range figures with other cars tested to the same technical procedures. These figures may not reflect real life driving results, which will depend upon a number of factors including the starting charge of the battery, accessories fitted (post-registration), variations in weather, driving styles and vehicle load. The CO₂ figures have been determined according to the WLTP test. WLTP has been used as the applicable CO₂ figure from 1 April 2020 for first year vehicle tax (VED) and from 6 April 2020 for company car tax (BIK). The CO₂ figures were previously based on the NEDC equivalent. Insurance group figures refer to 50 Group Rating System.

PRICING INFORMATION.

THE BMW 5 SERIES TOURING DIESEL.



520d SE	520d M Sport	520d M Sport Edition	520d xDrive SE	520d xDrive M Sport	520d xDrive M Sport Edition	530d xDrive SE	530d xDrive M Sport	530d xDrive M Sport Edition
---------	--------------	----------------------	----------------	---------------------	-----------------------------	----------------	---------------------	-----------------------------

Basic price (excluding VAT)	£34,533.33	£37,450.00	£41,200.00	£36,200.00	£39,116.67	£42,866.67	£43,250.00	£46,166.67	£49,916.67
VAT 20%	£6,906.67	£7,490.00	£8,240.00	£7,240.00	£7,823.33	£8,573.33	£8,650.00	£9,233.33	£9,983.33
RRP (including VAT)	£41,440	£44,940	£49,440	£43,440	£46,940	£51,440	£51,900	£55,400	£59,900
On the road price from	£42,550	£46,050	£50,550	£44,550	£48,050	£52,550	£53,335	£56,835	£61,335
P11d value – Automatic	£42,290	£45,790	£50,290	£44,290	£47,790	£52,290	£52,750	£56,250	£60,750
BIK tax rate (2020 / 2021)	31%-29%	32%-30%	32%-30%	32%-31%	34%-31%	33%-31%	34%-33%	36%-33%	34%-33%
Insurance group	34	35	36	35	36	37	42	43	43
RDE2 Compliant (Y / N)	Y	Y	Y	Y	Y	Y	Y	Y	Y

PRICES AND SPECIFICATIONS

BMW (UK) Limited reserves the right to alter prices and specifications without notice. BMW (UK) Limited has made every effort to ensure the accuracy of information but does not accept liability for any errors or omissions.

VED RATES

Annual VED (second year onwards), for cars costing over £40,000, is payable for five years. VED rates for brand new cars are determined by their CO₂ emissions figure. First year VED applies to the first year of ownership. Annual VED rates apply thereafter. The new BMW 5 Series Touring models fall into one of the categories listed below:

CO ₂ emissions (g/km)	01-50	51-75	76-90	91-100	101-110	111-130	131-150	151-170	171-190	191-225	226-255	Over 255
First year VED (petrol and RDE2 diesel)	£10	£25	£110	£135	£155	£175	£215	£540	£870	£1,305	£1,850	£2,175
Annual VED – second year onwards (standard rate for petrol and diesel)	£150	£150	£150	£150	£150	£150	£150	£150	£150	£150	£150	£150
Annual VED – second year onwards (petrol and diesel cars over £40,000)	£475	£475	£475	£475	£475	£475	£475	£475	£475	£475	£475	£475

ON THE ROAD PRICE

The recommended on the road price includes:

Delivery and BMW Emergency Service	£825
Number plates	£25
Vehicle first registration fee	£55
First year Vehicle Excise Duty	See left

Figures shown are for comparability purposes. Only compare fuel consumption, CO₂ and electric range figures with other cars tested to the same technical procedures. These figures may not reflect real life driving results, which will depend upon a number of factors including the starting charge of the battery, accessories fitted (post-registration), variations in weather, driving styles and vehicle load. The CO₂ figures have been determined according to the WLTP test. WLTP has been used as the applicable CO₂ figure from 1 April 2020 for first year vehicle tax (VED) and from 6 April 2020 for company car tax (BIK). The CO₂ figures were previously based on the NEDC equivalent. Insurance group figures refer to 50 Group Rating System.

TECHNICAL INFORMATION.

THE BMW 5 SERIES SALOON PETROL.



	520i SE	520i M Sport	520i M Sport Edition	M550i xDrive
--	---------	--------------	----------------------	--------------

Power output (hp)	184	184	184	530
0-62mph / 0-100km/h (secs)	7.9	7.9	7.9	3.8
Fuel consumption – combined (mpg)*	43.5-44.8	40.9-44.8	42.2-44.8	26.2-26.6
Fuel consumption – combined (l/100km)*	6.5-6.3	6.9-6.3	6.7-6.3	10.8-10.6
CO ₂ emissions – combined (g/km)*	149-142	158-145	154-143	247-243
Mild Hybrid Technology† (Y / N)	Y	Y	Y	N

CO₂ value will vary dependent on vehicle specification. Build your BMW and view the CO₂ figure for your chosen model [here](#). * = Figures shown are for comparability purposes. Only compare fuel consumption, CO₂ and electric range figures with other cars tested to the same technical procedures. These figures may not reflect real life driving results, which will depend upon a number of factors including the starting charge of the battery, accessories fitted (post-registration), variations in weather, driving styles and vehicle load. The CO₂ figures have been determined according to the WLTP test. WLTP has been used as the applicable CO₂ figure from 1 April 2020 for first year vehicle tax (VED) and from 6 April 2020 for company car tax (BIK). The CO₂ figures were previously based on the NEDC equivalent. † = 48V Mild Hybrid Technology provides many benefits including improved recovery of kinetic energy during braking and support of the combustion engine when accelerating. This helps to reduce CO₂ emissions whilst improving fuel consumption and performance.

TECHNICAL INFORMATION.

THE BMW 5 SERIES SALOON
PLUG-IN HYBRID ELECTRIC VEHICLES.



530e SE	530e M Sport	530e M Sport Edition	530e xDrive SE	530e xDrive M Sport	530e xDrive M Sport Edition	545e xDrive SE	545e xDrive M Sport	545e xDrive M Sport Edition
---------	--------------	----------------------	----------------	---------------------	-----------------------------	----------------	---------------------	-----------------------------

Power output (hp)	292 [^]	292 [^]	292 [^]	292 [^]	292 [^]	292 [^]	394 [^]	394 [^]	394 [^]
0-62mph / 0-100km/h (secs)	5.9	5.9	5.9	5.9	5.9	5.9	4.6	4.6	4.6
Fuel consumption – weighted combined (mpg)*	188.3-201.8	156.9-201.8	201.8	156.9-176.6	134.5-166.2	166.2	148.7-166.2	128.4-156.9	134.5
Fuel consumption – weighted combined (l/100km)*	1.5-1.4	1.8-1.4	1.4	1.8-1.6	2.1-1.7	1.7	1.9-1.7	2.2-1.8	2.1
CO ₂ emissions – weighted combined (g/km)*	35-31	41-32	33-32	41-37	48-38	39-38	43-39	50-40	48-47
Electric energy consumption – weighted combined (miles / kWh)*	3.6-3.8	3.4-3.7	3.7-3.8	3.4-3.5	3.2-3.5	3.5	3.5-3.6	3.3-3.5	3.3
Electric energy consumption – weighted combined (km / kWh)*	17.1-16.5	18.2-16.6	16.7-16.5	18.2-17.7	19.2-17.7	17.9-17.7	18.0-17.5	19.1-17.6	18.8-18.6
Equivalent all-electric range (miles)*	36.0-37.3	32.9-37.3	36.7-37.3	32.3-33.6	29.2-33.6	32.9-33.6	32.9-34.8	29.2-34.2	30.4-31.1
Equivalent all-electric range (km)*	58.0-60.0	53.0-60.0	59.0-60.0	52.0-54.0	47.0-54.0	53.0-54.0	53.0-56.0	47.0-55.0	49.0-50.0
Mild Hybrid Technology [†] (Y / N)	N	N	N	N	N	N	N	N	N

CO₂ value will vary dependent on vehicle specification. Build your BMW and view the CO₂ figure for your chosen model [here](#). * = Figures shown are for comparability purposes. Only compare fuel consumption, CO₂ and electric range figures with other cars tested to the same technical procedures. These figures may not reflect real life driving results, which will depend upon a number of factors including the starting charge of the battery, accessories fitted (post-registration), variations in weather, driving styles and vehicle load. The CO₂ figures have been determined according to the WLTP test. WLTP has been used as the applicable CO₂ figure from 1 April 2020 for first year vehicle tax (VED) and from 6 April 2020 for company car tax (BIK). The CO₂ figures were previously based on the NEDC equivalent. † = 48V Mild Hybrid Technology provides many benefits including improved recovery of kinetic energy during braking and support of the combustion engine when accelerating. This helps to reduce CO₂ emissions whilst improving fuel consumption and performance. ^ = Combined power from Petrol and Electric engines.

TECHNICAL INFORMATION.

THE BMW 5 SERIES SALOON DIESEL.



520d SE	520d M Sport	520d M Sport Edition	520d xDrive SE	520d xDrive M Sport	520d xDrive M Sport Edition	530d xDrive SE	530d xDrive M Sport	530d xDrive M Sport Edition
---------	--------------	----------------------	----------------	---------------------	-----------------------------	----------------	---------------------	-----------------------------

Power output (hp)	190	190	190	190	190	286	286	286	
0-62mph / 0-100km/h (secs)	7.2	7.2	7.2	7.2	7.2	5.4	5.4	5.4	
Fuel consumption – combined (mpg)*	55.4-58.9	51.4-57.6	53.3-57.6	52.3-55.4	49.6-54.3	50.4-55.4	49.6-51.4	46.3-51.4	50.4-51.4
Fuel consumption – combined (l/100km)*	5.1-4.8	5.5-4.9	5.3-4.9	5.4-5.1	5.7-5.2	5.6-5.1	5.7-5.5	6.1-5.5	5.6-5.5
CO ₂ emissions – combined (g/km)*	133-127	143-129	139-127	140-133	150-135	146-134	149-144	159-145	147-143
Mild Hybrid Technology† (Y / N)	Y	Y	Y	Y	Y	Y	Y	Y	Y

CO₂ value will vary dependent on vehicle specification. Build your BMW and view the CO₂ figure for your chosen model [here](#). * = Figures shown are for comparability purposes. Only compare fuel consumption, CO₂ and electric range figures with other cars tested to the same technical procedures. These figures may not reflect real life driving results, which will depend upon a number of factors including the starting charge of the battery, accessories fitted (post-registration), variations in weather, driving styles and vehicle load. The CO₂ figures have been determined according to the WLTP test. WLTP has been used as the applicable CO₂ figure from 1 April 2020 for first year vehicle tax (VED) and from 6 April 2020 for company car tax (BIK). The CO₂ figures were previously based on the NEDC equivalent. † = 48V Mild Hybrid Technology provides many benefits including improved recovery of kinetic energy during braking and support of the combustion engine when accelerating. This helps to reduce CO₂ emissions whilst improving fuel consumption and performance.

TECHNICAL INFORMATION.

THE BMW 5 SERIES TOURING PETROL.



	520i SE	520i M Sport	520i M Sport Edition	540i xDrive SE	540i xDrive M Sport	540i xDrive M Sport Edition
--	---------	--------------	----------------------	----------------	---------------------	-----------------------------

Power output (hp)	184	184	184	333	333	333
0-62mph / 0-100km/h (secs)	8.3	8.3	8.3	5.2	5.2	5.2
Fuel consumption - combined (mpg)*	40.4-42.2	38.2-42.2	39.2-42.2	34.9-35.8	33.2-35.8	34.0-35.8
Fuel consumption - combined (l/100km)*	7.0-6.7	7.4-6.7	7.2-6.7	8.1-7.9	8.5-7.9	8.3-7.9
CO ₂ emissions - combined (g/km)*	159-152	168-153	164-153	185-179	193-180	190-179
Mild Hybrid Technology† (Y / N)	Y	Y	Y	Y	Y	Y

CO₂ value will vary dependent on vehicle specification. Build your BMW and view the CO₂ figure for your chosen model [here](#). * = Figures shown are for comparability purposes. Only compare fuel consumption, CO₂ and electric range figures with other cars tested to the same technical procedures. These figures may not reflect real life driving results, which will depend upon a number of factors including the starting charge of the battery, accessories fitted (post-registration), variations in weather, driving styles and vehicle load. The CO₂ figures have been determined according to the WLTP test. WLTP has been used as the applicable CO₂ figure from 1 April 2020 for first year vehicle tax (VED) and from 6 April 2020 for company car tax (BIK). The CO₂ figures were previously based on the NEDC equivalent. † = 48V Mild Hybrid Technology provides many benefits including improved recovery of kinetic energy during braking and support of the combustion engine when accelerating. This helps to reduce CO₂ emissions whilst improving fuel consumption and performance.

TECHNICAL INFORMATION.

THE BMW 5 SERIES TOURING PLUG-IN HYBRID ELECTRIC VEHICLES.



	530e SE	530e M Sport	530e xDrive SE	530e xDrive M Sport
Power output (hp)	292 [^]	292 [^]	292 [^]	292 [^]
0-62mph / 0-100km/h (secs)	6.1	6.1	6.1	6.1
Fuel consumption – weighted combined (mpg)*	176.6-188.3	166.2-176.6	148.7-156.9	141.2-156.9
Fuel consumption – weighted combined (l/100km)*	1.6-1.5	1.7-1.6	1.9-1.8	2.0-1.8
CO ₂ emissions – weighted combined (g/km)*	38-35	38-35	44-41	45-42
Electric energy consumption – weighted combined (miles / kWh)*	3.6-3.7	3.5-3.6	3.3-3.4	3.3
Electric energy consumption – weighted combined (km / kWh)*	17.5-17.0	17.6-17.1	19.0-18.5	19.1-18.6
Equivalent all-electric range (miles)*	34.2-35.4	34.2-34.8	31.7-32.9	31.7-32.3
Equivalent all-electric range (km)*	55.0-57.0	55.0-56.0	51.0-53.0	51.0-52.0
Mild Hybrid Technology [†] (Y / N)	N	N	N	N

CO₂ value will vary dependent on vehicle specification. Build your BMW and view the CO₂ figure for your chosen model [here](#). * = Figures shown are for comparability purposes. Only compare fuel consumption, CO₂ and electric range figures with other cars tested to the same technical procedures. These figures may not reflect real life driving results, which will depend upon a number of factors including the starting charge of the battery, accessories fitted (post-registration), variations in weather, driving styles and vehicle load. The CO₂ figures have been determined according to the WLTP test. WLTP has been used as the applicable CO₂ figure from 1 April 2020 for first year vehicle tax (VED) and from 6 April 2020 for company car tax (BIK). The CO₂ figures were previously based on the NEDC equivalent. † = 48V Mild Hybrid Technology provides many benefits including improved recovery of kinetic energy during braking and support of the combustion engine when accelerating. This helps to reduce CO₂ emissions whilst improving fuel consumption and performance. ^ = Combined power from Petrol and Electric engines.

TECHNICAL INFORMATION.

THE BMW 5 SERIES TOURING DIESEL.



	520d SE	520d M Sport	520d M Sport Edition	520d xDrive SE	520d xDrive M Sport	520d xDrive M Sport Edition	530d xDrive SE	530d xDrive M Sport	530d xDrive M Sport Edition
--	---------	--------------	----------------------	----------------	---------------------	-----------------------------	----------------	---------------------	-----------------------------

Power output (hp)	190	190	190	190	190	190	286	286	286
0-62mph / 0-100km/h (secs)	7.6	7.6	7.6	7.6	7.6	7.6	5.6	5.6	5.6
Fuel consumption - combined (mpg)*	52.3-55.4	49.6-54.3	50.4-54.3	50.4-52.3	47.9-52.3	48.7-52.3	46.3-47.9	44.1-47.9	46.3-47.9
Fuel consumption - combined (l/100km)*	5.4-5.1	5.7-5.2	5.6-5.2	5.6-5.4	5.9-5.4	5.8-5.4	6.1-5.9	6.4-5.9	6.1-5.9
CO ₂ emissions - combined (g/km)*	141-134	149-135	146-135	148-141	156-142	152-142	159-154	168-154	159-154
Mild Hybrid Technology† (Y / N)	Y	Y	Y	Y	Y	Y	Y	Y	Y

CO₂ value will vary dependent on vehicle specification. Build your BMW and view the CO₂ figure for your chosen model [here](#). * = Figures shown are for comparability purposes. Only compare fuel consumption, CO₂ and electric range figures with other cars tested to the same technical procedures. These figures may not reflect real life driving results, which will depend upon a number of factors including the starting charge of the battery, accessories fitted (post-registration), variations in weather, driving styles and vehicle load. The CO₂ figures have been determined according to the WLTP test. WLTP has been used as the applicable CO₂ figure from 1 April 2020 for first year vehicle tax (VED) and from 6 April 2020 for company car tax (BIK). The CO₂ figures were previously based on the NEDC equivalent. † = 48V Mild Hybrid Technology provides many benefits including improved recovery of kinetic energy during braking and support of the combustion engine when accelerating. This helps to reduce CO₂ emissions whilst improving fuel consumption and performance.

OPTIONAL EQUIPMENT PRICING.



	520i SE	520i M Sport	520i M Sport Edition	530e SE	530e M Sport	530e M Sport Edition*	530e xDrive SE	530e xDrive M Sport	530e xDrive M Sport Edition*	540i xDrive SE^	540i xDrive M Sport^	540i xDrive M Sport Edition^	545e xDrive SE*	545e xDrive M Sport*	545e xDrive M Sport Edition*	M550i xDrive*	520d SE	520d M Sport	520d M Sport Edition	520d xDrive SE	520d xDrive M Sport	520d xDrive M Sport Edition	530d xDrive SE	530d xDrive M Sport	530d xDrive M Sport Edition	Price
--	---------	--------------	----------------------	---------	--------------	-----------------------	----------------	---------------------	------------------------------	-----------------	----------------------	------------------------------	-----------------	----------------------	------------------------------	---------------	---------	--------------	----------------------	----------------	---------------------	-----------------------------	----------------	---------------------	-----------------------------	-------

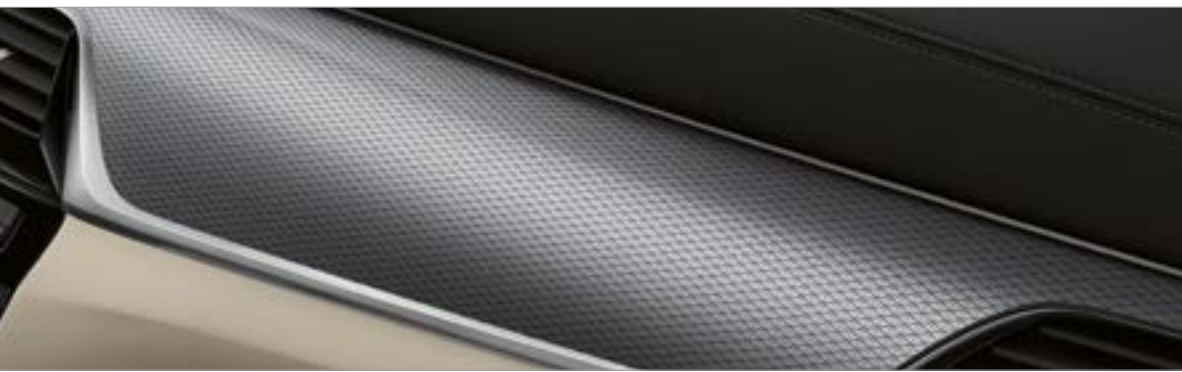
PAINTWORK

Non-metallic Available in Alpine White	■	■	-	□	□	-	□	□	-	□	□	-	□	□	-	□	■	■	-	■	■	-	□	□	-	£0
Metallic Available in Bernina Grey, Black Sapphire, Bluestone, Carbon Black ¹ , Glacier Silver ² , Mineral White ² , Phytomic Blue or Sophisto Grey	□	□	-	■	■	-	■	■	-	■	■	-	■	■	-	■	□	□	-	□	□	-	■	■	-	£900
BMW Individual Available in Alvite Grey or Aventurine Red	□	□	-	-	-	-	-	-	-	-	-	-	-	-	-	-	□	□	-	□	□	-	-	-	-	£1,995
Available in Donington Grey ³ or Tanzanite Blue	-	-	■	-	-	■	-	-	■	-	-	■	-	-	■	-	-	-	-	-	-	-	□	□	-	£1,095
BMW Individual special request ³	□	□	-	□	□	-	□	□	-	□	□	-	-	-	-	□	□	□	-	□	□	-	□	□	-	Std
																										POA

UPHOLSTERY

Dakota leather Available in Cognac with Exclusive stitching and contrast piping or Ivory White with Exclusive stitching and contrast piping	□	□	-	□	□	-	□	□	-	□	□	-	□	□	-	□	□	□	-	□	□	-	□	□	-	£0
Available in Black with Exclusive stitching and contrast piping Not with Comfort Plus Pack	■	□	-	■	□	-	■	□	-	■	□	-	■	□	-	□	■	□	-	■	□	-	■	□	-	£0
Available in Black with contrast stitching in Blue Not with Comfort Pack / Comfort Plus Pack	-	■	■	-	■	■	-	■	■	-	■	■	-	■	■	■	-	■	■	-	■	■	-	■	■	Std
Exclusive Nappa leather Available in Black with Exclusive stitching and contrast piping, Ivory White with Exclusive stitching and contrast piping or Mocha with Exclusive stitching and contrast piping Only with Comfort Pack / Comfort Plus Pack + Through-loading system	□	□	-	□	□	-	□	□	-	□	□	-	□	□	-	□	□	□	-	□	□	-	□	□	-	£995
BMW Individual Full Merino leather Available in Caramel, Smoke White or Tarufo Only available with BMW Individual instrument panel finished in leather, BMW Individual headlining in Anthracite / BMW Individual headlining in Alcantara Anthracite + Comfort Pack / Comfort Plus Pack	□	□	-	□	□	-	□	□	-	□	□	-	□	□	-	□	□	□	-	□	□	-	□	□	-	£2,995

/ = Indicates 'or' Only with = these options must be ordered together. Not with = these options are not available for ordering together. * = Saloon models only. ^ = Touring models only. ¹ = Exclusively available for M Sport and M550i xDrive models. ² = Exclusively available for SE models. ³ = When ordered in combination with Driving Assistant Professional certain functions under the Lane change assistant are deactivated. For further details, please speak to your local BMW Centre.



	520i SE	520i M Sport	520i M Sport Edition	530e SE	530e M Sport	530e M Sport Edition*	530e xDrive SE	530e xDrive M Sport	530e xDrive M Sport Edition*	540i xDrive SE^	540i xDrive M Sport^	540i xDrive M Sport Edition^	545e xDrive SE*	545e xDrive M Sport*	545e xDrive M Sport Edition*	M550i xDrive*	520d SE	520d M Sport	520d M Sport Edition	520d xDrive SE	520d xDrive M Sport	520d xDrive M Sport Edition	530d xDrive SE	530d xDrive M Sport	530d xDrive M Sport Edition	Price
--	---------	--------------	----------------------	---------	--------------	-----------------------	----------------	---------------------	------------------------------	-----------------	----------------------	------------------------------	-----------------	----------------------	------------------------------	---------------	---------	--------------	----------------------	----------------	---------------------	-----------------------------	----------------	---------------------	-----------------------------	-------

INTERIOR TRIMS

Oxide Silver Dark Matt	■	-	-	■	-	-	■	-	-	■	-	-	■	-	-	-	■	-	-	■	-	-	■	-	-	Std
Aluminium Rhombicle Smoke Grey	-	■	■	-	■	■	-	■	■	-	■	■	-	■	■	■	-	■	■	-	■	■	-	■	■	Std
Finewood Finline Ridge	□	-	-	□	-	-	□	-	-	□	-	-	□	-	-	-	□	-	-	□	-	-	□	-	-	£560
Finewood Ash Trunkwood open-pored	-	□	-	-	□	-	-	□	-	-	□	-	-	□	-	-	-	□	-	-	□	-	-	□	-	£360
	□	-	-	□	-	-	□	-	-	□	-	-	□	-	-	-	□	-	-	□	-	-	□	-	-	£560
	-	□	-	-	□	-	-	□	-	-	□	-	-	□	-	-	-	□	-	-	□	-	-	□	-	£360

BMW INDIVIDUAL INTERIOR TRIMS

Piano Black	□	-	-	□	-	-	□	-	-	□	-	-	□	-	-	-	□	-	-	□	-	-	□	-	-	£760
	-	□	-	-	□	-	-	□	-	-	□	-	-	□	-	-	-	□	-	-	□	-	-	□	-	£560

STEERING & CHASSIS

Adaptive M suspension professional* Not with Adaptive suspension	-	-	-	-	-	-	-	-	-	-	-	-	-	-	-	□	-	-	-	-	-	-	-	-	-	£3,695
Integral active steering* Not with Adaptive M suspension professional	-	-	-	-	-	-	-	-	-	-	-	-	-	-	-	□	-	-	-	-	-	-	-	-	-	£0
Run-flat tyres Only with select alloy wheels	-	□	■	-	□	■	-	□	■	-	□	■	-	□	■	■	-	□	■	-	□	■	-	□	■	£0

BMW EFFICIENT DYNAMICS

Active Air Stream Kidney Grille	■	■	■	■	■	■	■	■	■	■	■	■	■	■	■	■	■	■	■	■	■	■	■	■	■	Std
Brake Energy Regeneration	■	■	■	■	■	■	■	■	■	■	■	■	■	■	■	■	■	■	■	■	■	■	■	■	■	Std
ECO PRO mode	■	■	■	■	■	■	■	■	■	■	■	■	■	■	■	■	■	■	■	■	■	■	■	■	■	Std
Electric Power Steering (EPS) with Servotronic	■	■	■	■	■	■	■	■	■	■	■	■	■	■	■	■	■	■	■	■	■	■	■	■	■	Std
High-precision direct injection	■	■	■	■	■	■	■	■	■	■	■	■	■	■	■	■	-	-	-	-	-	-	-	-	-	Std

Certain BMW EfficientDynamics features may be excluded depending on the optional equipment chosen. For full details please contact your local BMW Centre.

* = Saloon models only. ^ = Touring models only. Only with = these options must be ordered together. Not with = these options are not available for ordering together.

■ Standard equipment □ Optional equipment - Not available



	520i SE	520i M Sport	520i M Sport Edition	530e SE	530e M Sport	530e M Sport Edition*	530e xDrive SE	530e xDrive M Sport	530e xDrive M Sport Edition*	540i xDrive SE^	540i xDrive M Sport^	540i xDrive M Sport Edition^	545e xDrive SE*	545e xDrive M Sport*	545e xDrive M Sport Edition*	M550i xDrive*	520d SE	520d M Sport	520d M Sport Edition	520d xDrive SE	520d xDrive M Sport	520d xDrive M Sport Edition	530d xDrive SE	530d xDrive M Sport	530d xDrive M Sport Edition
--	---------	--------------	----------------------	---------	--------------	-----------------------	----------------	---------------------	------------------------------	-----------------	----------------------	------------------------------	-----------------	----------------------	------------------------------	---------------	---------	--------------	----------------------	----------------	---------------------	-----------------------------	----------------	---------------------	-----------------------------

Price

EXTERIOR EQUIPMENT

Towbar, fully electric ¹	<input type="checkbox"/>	<input type="checkbox"/>	<input type="checkbox"/>	<input type="checkbox"/>	<input type="checkbox"/>	<input type="checkbox"/>	<input type="checkbox"/>	<input type="checkbox"/>	<input type="checkbox"/>	<input type="checkbox"/>	<input type="checkbox"/>	<input type="checkbox"/>	<input type="checkbox"/>	<input type="checkbox"/>	<input type="checkbox"/>	<input type="checkbox"/>	<input type="checkbox"/>	<input type="checkbox"/>	<input type="checkbox"/>	<input type="checkbox"/>	<input type="checkbox"/>	<input type="checkbox"/>	<input type="checkbox"/>	<input type="checkbox"/>	<input type="checkbox"/>	<input type="checkbox"/>	£995
BMW Individual Lights Shadowline Only with Visibility Pack	-	<input type="checkbox"/>	<input checked="" type="checkbox"/>	-	<input type="checkbox"/>	<input checked="" type="checkbox"/>	-	<input type="checkbox"/>	<input checked="" type="checkbox"/>	-	<input type="checkbox"/>	<input checked="" type="checkbox"/>	-	<input type="checkbox"/>	<input checked="" type="checkbox"/>	<input checked="" type="checkbox"/>	-	<input type="checkbox"/>	<input checked="" type="checkbox"/>	-	<input type="checkbox"/>	<input checked="" type="checkbox"/>	-	<input type="checkbox"/>	<input checked="" type="checkbox"/>	£350	
Exterior trim, Extended High-gloss Shadowline Only with M Sport Pro Pack (M Sport models)	-	<input type="checkbox"/>	<input checked="" type="checkbox"/>	-	<input type="checkbox"/>	<input checked="" type="checkbox"/>	-	<input type="checkbox"/>	<input checked="" type="checkbox"/>	-	<input type="checkbox"/>	<input checked="" type="checkbox"/>	-	<input type="checkbox"/>	<input checked="" type="checkbox"/>	-	-	<input type="checkbox"/>	<input checked="" type="checkbox"/>	-	<input type="checkbox"/>	<input checked="" type="checkbox"/>	-	<input type="checkbox"/>	<input checked="" type="checkbox"/>	n/a	
Sun protection glass Included in M Sport Pro Pack	<input type="checkbox"/>	<input type="checkbox"/>	<input checked="" type="checkbox"/>	<input type="checkbox"/>	<input type="checkbox"/>	<input checked="" type="checkbox"/>	<input type="checkbox"/>	<input type="checkbox"/>	<input checked="" type="checkbox"/>	<input type="checkbox"/>	<input type="checkbox"/>	<input checked="" type="checkbox"/>	<input type="checkbox"/>	<input type="checkbox"/>	<input checked="" type="checkbox"/>	<input checked="" type="checkbox"/>	<input type="checkbox"/>	<input type="checkbox"/>	<input checked="" type="checkbox"/>	<input type="checkbox"/>	<input type="checkbox"/>	<input checked="" type="checkbox"/>	<input type="checkbox"/>	<input type="checkbox"/>	<input checked="" type="checkbox"/>	£265	
	<input type="checkbox"/>	<input type="checkbox"/>	<input checked="" type="checkbox"/>	<input type="checkbox"/>	<input type="checkbox"/>	<input checked="" type="checkbox"/>	<input type="checkbox"/>	<input type="checkbox"/>	<input checked="" type="checkbox"/>	<input type="checkbox"/>	<input type="checkbox"/>	<input checked="" type="checkbox"/>	<input type="checkbox"/>	<input type="checkbox"/>	<input checked="" type="checkbox"/>	<input checked="" type="checkbox"/>	<input type="checkbox"/>	<input type="checkbox"/>	<input checked="" type="checkbox"/>	<input type="checkbox"/>	<input type="checkbox"/>	<input checked="" type="checkbox"/>	<input type="checkbox"/>	<input type="checkbox"/>	<input checked="" type="checkbox"/>	£390	

INTERIOR EQUIPMENT

BMW Individual headlining, Alcantara Anthracite* Not with BMW Individual headlining, Anthracite	<input type="checkbox"/>	-	-	<input type="checkbox"/>	-	-	<input type="checkbox"/>	-	-	-	-	-	<input type="checkbox"/>	-	-	-	<input type="checkbox"/>	-	-	<input type="checkbox"/>	-	-	<input type="checkbox"/>	-	-	£1,450
BMW Individual headlining, Anthracite Not with BMW Individual headlining, Alcantara Anthracite	<input type="checkbox"/>	<input checked="" type="checkbox"/>	<input checked="" type="checkbox"/>	<input type="checkbox"/>	<input checked="" type="checkbox"/>	<input checked="" type="checkbox"/>	<input type="checkbox"/>	<input checked="" type="checkbox"/>	<input checked="" type="checkbox"/>	<input type="checkbox"/>	<input checked="" type="checkbox"/>	<input checked="" type="checkbox"/>	<input type="checkbox"/>	<input checked="" type="checkbox"/>	<input checked="" type="checkbox"/>	<input checked="" type="checkbox"/>	<input type="checkbox"/>	<input checked="" type="checkbox"/>	<input checked="" type="checkbox"/>	<input type="checkbox"/>	<input checked="" type="checkbox"/>	<input checked="" type="checkbox"/>	<input type="checkbox"/>	<input checked="" type="checkbox"/>	£1,100	
BMW Individual instrument panel finished in leather	<input type="checkbox"/>	-	-	<input type="checkbox"/>	-	-	<input type="checkbox"/>	-	-	<input type="checkbox"/>	-	-	<input type="checkbox"/>	-	-	-	<input type="checkbox"/>	-	-	<input type="checkbox"/>	-	-	<input type="checkbox"/>	-	-	£1,250
In conjunction with BMW Individual Full Merino leather upholstery	-	<input type="checkbox"/>	<input type="checkbox"/>	-	<input type="checkbox"/>	<input type="checkbox"/>	-	<input type="checkbox"/>	<input type="checkbox"/>	-	<input type="checkbox"/>	<input type="checkbox"/>	-	<input type="checkbox"/>	<input type="checkbox"/>	<input type="checkbox"/>	-	<input type="checkbox"/>	<input type="checkbox"/>	-	<input type="checkbox"/>	<input type="checkbox"/>	-	<input type="checkbox"/>	£575	
Electric glass sunroof*	<input type="checkbox"/>	<input type="checkbox"/>	<input type="checkbox"/>	<input type="checkbox"/>	<input type="checkbox"/>	<input type="checkbox"/>	<input type="checkbox"/>	<input type="checkbox"/>	<input type="checkbox"/>	-	-	-	<input type="checkbox"/>	<input type="checkbox"/>	<input type="checkbox"/>	<input type="checkbox"/>	<input type="checkbox"/>	<input type="checkbox"/>	<input type="checkbox"/>	<input type="checkbox"/>	<input type="checkbox"/>	<input type="checkbox"/>	<input type="checkbox"/>	<input type="checkbox"/>	£0	
Instrument panel in Sensatec Not with BMW Individual Full Merino leather upholstery	<input type="checkbox"/>	<input checked="" type="checkbox"/>	<input checked="" type="checkbox"/>	<input type="checkbox"/>	<input checked="" type="checkbox"/>	<input checked="" type="checkbox"/>	<input type="checkbox"/>	<input checked="" type="checkbox"/>	<input checked="" type="checkbox"/>	<input type="checkbox"/>	<input checked="" type="checkbox"/>	<input checked="" type="checkbox"/>	<input type="checkbox"/>	<input checked="" type="checkbox"/>	<input checked="" type="checkbox"/>	<input checked="" type="checkbox"/>	<input type="checkbox"/>	<input checked="" type="checkbox"/>	<input checked="" type="checkbox"/>	<input type="checkbox"/>	<input checked="" type="checkbox"/>	<input checked="" type="checkbox"/>	<input type="checkbox"/>	<input checked="" type="checkbox"/>	£1,095	
M multi-functional seats, front Only with Dakota leather upholstery in Black with contrast stitching in Blue	-	<input type="checkbox"/>	<input checked="" type="checkbox"/>	-	<input type="checkbox"/>	<input checked="" type="checkbox"/>	-	<input type="checkbox"/>	<input checked="" type="checkbox"/>	-	<input type="checkbox"/>	<input checked="" type="checkbox"/>	-	<input type="checkbox"/>	<input checked="" type="checkbox"/>	<input type="checkbox"/>	-	<input type="checkbox"/>	<input checked="" type="checkbox"/>	-	<input type="checkbox"/>	<input checked="" type="checkbox"/>	-	<input type="checkbox"/>	£675	
Panoramic glass sunroof^	<input type="checkbox"/>	<input type="checkbox"/>	<input type="checkbox"/>	-	-	-	-	-	-	<input type="checkbox"/>	<input type="checkbox"/>	<input type="checkbox"/>	-	-	-	-	<input type="checkbox"/>	<input type="checkbox"/>	<input type="checkbox"/>	<input type="checkbox"/>	<input type="checkbox"/>	<input type="checkbox"/>	<input type="checkbox"/>	<input type="checkbox"/>	£2,095	
Steering wheel heating Only with Seat heating, front / Seat heating, front and rear Included in Comfort Pack / Comfort Plus Pack	<input type="checkbox"/>	<input type="checkbox"/>	<input type="checkbox"/>	<input type="checkbox"/>	<input type="checkbox"/>	<input type="checkbox"/>	<input type="checkbox"/>	<input type="checkbox"/>	<input type="checkbox"/>	<input type="checkbox"/>	<input type="checkbox"/>	<input type="checkbox"/>	<input type="checkbox"/>	<input type="checkbox"/>	<input type="checkbox"/>	<input type="checkbox"/>	<input type="checkbox"/>	<input type="checkbox"/>	<input type="checkbox"/>	<input type="checkbox"/>	<input type="checkbox"/>	<input type="checkbox"/>	<input type="checkbox"/>	<input type="checkbox"/>	£1,495	
Through-loading system ²	<input type="checkbox"/>	<input type="checkbox"/>	<input type="checkbox"/>	<input type="checkbox"/>	<input type="checkbox"/>	<input type="checkbox"/>	<input type="checkbox"/>	<input type="checkbox"/>	<input type="checkbox"/>	<input checked="" type="checkbox"/>	<input checked="" type="checkbox"/>	<input checked="" type="checkbox"/>	<input type="checkbox"/>	<input type="checkbox"/>	<input type="checkbox"/>	<input type="checkbox"/>	<input type="checkbox"/>	<input type="checkbox"/>	<input type="checkbox"/>	<input type="checkbox"/>	<input type="checkbox"/>	<input type="checkbox"/>	<input type="checkbox"/>	<input type="checkbox"/>	£270	
	<input type="checkbox"/>	<input type="checkbox"/>	<input type="checkbox"/>	<input type="checkbox"/>	<input type="checkbox"/>	<input type="checkbox"/>	<input type="checkbox"/>	<input type="checkbox"/>	<input type="checkbox"/>	<input checked="" type="checkbox"/>	<input checked="" type="checkbox"/>	<input checked="" type="checkbox"/>	<input type="checkbox"/>	<input type="checkbox"/>	<input type="checkbox"/>	<input type="checkbox"/>	<input type="checkbox"/>	<input type="checkbox"/>	<input type="checkbox"/>	<input type="checkbox"/>	<input type="checkbox"/>	<input type="checkbox"/>	<input type="checkbox"/>	<input type="checkbox"/>	£395	

/ = Indicates 'or' Only with = these options must be ordered together. Not with = these options are not available for ordering together. * = Saloon models only. ^ = Touring models only
¹ = Not with 20" M light alloy Y-spoke style 846 M wheels, Bicolour Jet Black on 530e / 530e xDrive models. ² = Available as standard on Touring models.

Standard equipment Optional equipment - Not available



520i SE	520i M Sport	520i M Sport Edition	530e SE	530e M Sport	530e M Sport Edition*	530e xDrive SE	530e xDrive M Sport	530e xDrive M Sport Edition*	540i xDrive SE^	540i xDrive M Sport^	540i xDrive M Sport Edition^	545e xDrive SE*	545e xDrive M Sport*	545e xDrive M Sport Edition*	M550i xDrive*	520d SE	520d M Sport	520d M Sport Edition	520d xDrive SE	520d xDrive M Sport	520d xDrive M Sport Edition	530d xDrive SE	530d xDrive M Sport	530d xDrive M Sport Edition	Price
---------	--------------	----------------------	---------	--------------	-----------------------	----------------	---------------------	------------------------------	-----------------	----------------------	------------------------------	-----------------	----------------------	------------------------------	---------------	---------	--------------	----------------------	----------------	---------------------	-----------------------------	----------------	---------------------	-----------------------------	-------

PACKAGES

Packages provide an intelligent selection of individual options at a lower combined price, as well as contributing to the resale value of the vehicle. Further options can still be specified even when a package is chosen.

	520i SE	520i M Sport	520i M Sport Edition	530e SE	530e M Sport	530e M Sport Edition*	530e xDrive SE	530e xDrive M Sport	530e xDrive M Sport Edition*	540i xDrive SE^	540i xDrive M Sport^	540i xDrive M Sport Edition^	545e xDrive SE*	545e xDrive M Sport*	545e xDrive M Sport Edition*	M550i xDrive*	520d SE	520d M Sport	520d M Sport Edition	520d xDrive SE	520d xDrive M Sport	520d xDrive M Sport Edition	530d xDrive SE	530d xDrive M Sport	530d xDrive M Sport Edition	Price
COMFORT PACK	□	□	-	□	□	-	□	□	-	□	□	-	□	□	-	□	□	□	-	□	□	-	□	□	-	£2,495
Comprises:	-	-	□	-	-	□	-	-	□	-	-	□	-	-	□	-	-	-	□	-	-	□	-	-	□	£1,495
- Automatic tailgate operation*																										
- Comfort Access																										
- Comfort seats, front, electrically adjustable (excludes M Sport Edition)																										
- Luggage compartment package (excludes 530e / 530e xDrive)^																										
- Steering wheel heating																										
COMFORT PLUS PACK	□	□	-	□	□	-	□	□	-	□	□	-	□	□	-	□	□	□	-	□	□	-	□	□	-	£4,995
Comprises all equipment from Comfort Pack, plus:	-	-	-	-	-	-	-	-	-	-	-	-	-	-	-	-	-	-	-	-	-	-	-	-	-	£4,595
- Active seat ventilation (excludes M Sport Edition)																										
- Air conditioning, automatic with four-zone control																										
- Massage function, front (excludes M Sport Edition)																										
- Seat heating, front and rear																										
ENTERTAINMENT PACK	□	□	□	□	□	□	□	□	□	□	□	□	□	□	□	□	□	□	□	□	□	□	□	□	□	£2,995
Comprises:																										
- Rear-seat Entertainment Professional																										
- TV function plus																										
M SPORT PRO PACK*	-	□	-	-	□	-	-	□	-	-	-	-	-	□	-	-	-	□	-	-	□	-	-	□	-	£2,495
For Saloon models, comprises:																										
- 19" M light alloy Y-spoke style 845 M wheels, Bicolour Jet Black (530e / 530e xDrive only)																										
- 20" M light alloy Y-spoke style 846 M wheels, Bicolour																										
- Exterior trim, Extended High-gloss Shadowline																										
- M seat belts																										
- M rear spoiler																										
- Sun protection glass																										
Differing content:	-	-	-	-	□	-	-	□	-	-	-	-	-	□	-	-	-	-	-	-	-	-	-	□	-	
- Adaptive suspension																										
- M Sport braking system		□			■			■						■										■		
Alternative wheel upgrade:	-	-	-	-	□	-	-	□	-	-	-	-	-	-	-	-	-	-	-	-	-	-	-	-	-	£2,995
- 20" M light alloy Y-spoke style 846 M wheels, Bicolour																										
Alternative content upgrade:	-	□	-	-	□	-	-	□	-	-	-	-	-	□	-	-	-	-	-	-	-	-	-	□	-	£2,795
- M Sport braking system, High-gloss Red																										
Alternative content upgrade:	-	-	-	-	□	-	-	□	-	-	-	-	-	-	-	-	-	-	-	-	-	-	-	-	-	£3,295
- 20" M light alloy Y-spoke style 846 M wheels, Bicolour																										
- M Sport braking system, High-gloss Red																										

/ = Indicates 'or' * = Saloon models only. ^ = Touring models only.

■ Standard equipment □ Optional equipment - Not available



520i SE	520i M Sport	520i M Sport Edition	530e SE	530e M Sport	530e M Sport Edition*	530e xDrive SE	530e xDrive M Sport	530e xDrive M Sport Edition*	540i xDrive SE^	540i xDrive M Sport^	540i xDrive M Sport Edition^	545e xDrive SE*	545e xDrive M Sport*	545e xDrive M Sport Edition*	M550i xDrive*	520d SE	520d M Sport	520d M Sport Edition	520d xDrive SE	520d xDrive M Sport	520d xDrive M Sport Edition	530d xDrive SE	530d xDrive M Sport	530d xDrive M Sport Edition	Price
---------	--------------	----------------------	---------	--------------	-----------------------	----------------	---------------------	------------------------------	-----------------	----------------------	------------------------------	-----------------	----------------------	------------------------------	---------------	---------	--------------	----------------------	----------------	---------------------	-----------------------------	----------------	---------------------	-----------------------------	-------

PACKAGES (CONT.)

Packages provide an intelligent selection of individual options at a lower combined price, as well as contributing to the resale value of the vehicle. Further options can still be specified even when a package is chosen.

	520i SE	520i M Sport	520i M Sport Edition	530e SE	530e M Sport	530e M Sport Edition*	530e xDrive SE	530e xDrive M Sport	530e xDrive M Sport Edition*	540i xDrive SE^	540i xDrive M Sport^	540i xDrive M Sport Edition^	545e xDrive SE*	545e xDrive M Sport*	545e xDrive M Sport Edition*	M550i xDrive*	520d SE	520d M Sport	520d M Sport Edition	520d xDrive SE	520d xDrive M Sport	520d xDrive M Sport Edition	530d xDrive SE	530d xDrive M Sport	530d xDrive M Sport Edition	Price
M SPORT PRO PACK^	-	□	-	-	-	-	-	-	-	-	□	-	-	-	-	-	-	□	-	-	□	-	-	□	-	£2,495
For Touring models, comprises:	-	-	-	-	□	-	-	□	-	-	-	-	-	-	-	-	-	-	-	-	-	-	-	-	-	£1,895
- 20" M light alloy Y-spoke style 846 M wheels, Bicolour (excludes 530e / 530e xDrive)	-	-	-	-	□	-	-	□	-	-	-	-	-	-	-	-	-	-	-	-	-	-	-	-	-	
- Exterior trim, Extended High-gloss Shadowline	-	-	-	-	□	-	-	□	-	-	-	-	-	-	-	-	-	-	-	-	-	-	-	-	-	
- M seat belts	-	-	-	-	□	-	-	□	-	-	-	-	-	-	-	-	-	-	-	-	-	-	-	-	-	
- Sun Protection glass	-	-	-	-	□	-	-	□	-	-	-	-	-	-	-	-	-	-	-	-	-	-	-	-	-	
Differing content:	-	-	-	-	□	-	-	□	-	-	□	-	-	-	-	-	-	-	-	-	-	-	-	□	-	
- Adaptive suspension	-	-	-	-	□	-	-	□	-	-	□	-	-	-	-	-	-	-	-	-	-	-	-	□	-	
- M Sport braking system, High-gloss Blue	-	□	-	-	■	-	-	■	-	-	■	-	-	-	-	-	-	-	□	-	□	-	-	■	-	
Alternative content upgrade:	-	□	-	-	-	-	-	-	-	-	□	-	-	-	-	-	-	-	-	-	□	-	-	□	-	£2,795
- M Sport braking system, High-gloss Red	-	-	-	-	□	-	-	□	-	-	-	-	-	-	-	-	-	-	-	-	-	-	-	-	-	£2,195
TECHNOLOGY PACK	□	□	□	□	□	□	□	□	□	□	□	□	□	□	□	□	-	□	□	□	□	□	□	□	□	£2,495
Comprises:	-	-	-	-	-	-	-	-	-	-	-	-	-	-	-	-	□	-	-	-	-	-	-	-	-	£1,695
- BMW Gesture Control	-	-	-	-	-	-	-	-	-	-	-	-	-	-	-	-	-	-	-	-	-	-	-	-	-	
- Enhanced Bluetooth with wireless charging	-	-	-	-	-	-	-	-	-	-	-	-	-	-	-	-	-	-	-	-	-	-	-	-	-	
- Head-up Display	-	-	-	-	-	-	-	-	-	-	-	-	-	-	-	-	-	-	-	-	-	-	-	-	-	
- Loudspeaker system – harman/kardon	-	-	-	-	-	-	-	-	-	-	-	-	-	-	-	-	-	-	-	-	-	-	-	-	-	
- WiFi hotspot preparation	-	-	-	-	-	-	-	-	-	-	-	-	-	-	-	-	-	-	-	-	-	-	-	-	-	
Alternative content:	□	□	□	□	□	□	□	□	□	□	□	□	□	□	□	□	-	□	□	□	□	□	□	□	□	£4,995
- Bowers & Wilkins Diamond Surround Sound System	-	-	-	-	-	-	-	-	-	-	-	-	-	-	-	-	□	-	-	-	-	-	-	-	-	£4,195
TECHNOLOGY PLUS PACK	□	□	□	□	□	□	□	□	□	□	□	□	□	□	□	□	-	□	□	□	□	□	□	□	□	£4,995
Comprises all equipment from Technology Pack, plus:	-	-	-	-	-	-	-	-	-	-	-	-	-	-	-	-	□	-	-	-	-	-	-	-	-	£4,195
- Drive Recorder	-	-	-	-	-	-	-	-	-	-	-	-	-	-	-	-	-	-	-	-	-	-	-	-	-	
- Driving Assistant Professional	-	-	-	-	-	-	-	-	-	-	-	-	-	-	-	-	-	-	-	-	-	-	-	-	-	
- Parking Assistant Plus	-	-	-	-	-	-	-	-	-	-	-	-	-	-	-	-	-	-	-	-	-	-	-	-	-	
Alternative content:	□	□	□	□	□	□	□	□	□	□	□	□	□	□	□	□	-	□	□	□	□	□	□	□	□	£7,495
- Bowers & Wilkins Diamond Surround Sound System	-	-	-	-	-	-	-	-	-	-	-	-	-	-	-	-	□	-	-	-	-	-	-	-	-	£6,695
VISIBILITY PACK	□	□	-	□	□	-	□	□	-	□	□	-	□	□	-	-	□	□	-	□	□	-	□	□	-	£1,000
Comprises:	-	-	-	-	-	-	-	-	-	-	-	-	-	-	-	-	-	-	-	-	-	-	-	-	-	
- Adaptive LED Headlights	-	-	-	-	-	-	-	-	-	-	-	-	-	-	-	-	-	-	-	-	-	-	-	-	-	
- High-beam Assistant	-	-	-	-	-	-	-	-	-	-	-	-	-	-	-	-	-	-	-	-	-	-	-	-	-	
Alternative content:	□	□	-	□	□	-	□	□	-	□	□	-	□	□	-	-	□	□	-	□	□	-	□	□	-	£2,000
- BMW Laserlights	-	-	□	-	-	□	-	-	□	-	-	□	-	-	□	□	-	-	□	-	□	-	-	-	□	£1,000

* = Saloon models only. ^ = Touring models only.

■ Standard equipment □ Optional equipment - Not available



520i SE	520i M Sport	520i M Sport Edition	530e SE	530e M Sport	530e M Sport Edition*	530e xDrive SE	530e xDrive M Sport	530e xDrive M Sport Edition*	540i xDrive SE^	540i xDrive M Sport^	540i xDrive M Sport Edition^	545e xDrive SE*	545e xDrive M Sport*	545e xDrive M Sport Edition*	M550i xDrive*	520d SE	520d M Sport	520d M Sport Edition	520d xDrive SE	520d xDrive M Sport	520d xDrive M Sport Edition	530d xDrive SE	530d xDrive M Sport	530d xDrive M Sport Edition	Price
---------	--------------	----------------------	---------	--------------	-----------------------	----------------	---------------------	------------------------------	-----------------	----------------------	------------------------------	-----------------	----------------------	------------------------------	---------------	---------	--------------	----------------------	----------------	---------------------	-----------------------------	----------------	---------------------	-----------------------------	-------

SAFETY & TECHNOLOGY

Drive Recorder ¹ Comprises: – Event recorder – Crash recorder Only with Parking Assistant Plus / Technology Plus Pack	<input type="checkbox"/>	<input type="checkbox"/>	<input type="checkbox"/>	<input type="checkbox"/>	<input type="checkbox"/>	<input type="checkbox"/>	<input type="checkbox"/>	<input type="checkbox"/>	<input type="checkbox"/>	<input type="checkbox"/>	<input type="checkbox"/>	<input type="checkbox"/>	<input type="checkbox"/>	<input type="checkbox"/>	<input type="checkbox"/>	<input type="checkbox"/>	<input type="checkbox"/>	<input type="checkbox"/>	<input type="checkbox"/>	<input type="checkbox"/>	<input type="checkbox"/>	<input type="checkbox"/>	<input type="checkbox"/>	<input type="checkbox"/>	£0
Driving Assistant Professional Comprises: – Active lane guidance – Adaptive distance control – Crossing traffic warning, front and rear – Crossroads warning and city braking function – Cruise Control with approach control – Emergency Stop Assistant – Evasion aid – Front collision warning with braking intervention – Lane change assistant – Lane change warning – Lane departure warning – Lane keeping assistant – Speed Limit Assist – Speed Limit Info including no-overtaking indicator – Steering and Lane Control Assistant – Rear collision prevention – Traffic light recognition – Wrong-way warning Only with Technology Plus Pack	<input type="checkbox"/>	<input type="checkbox"/>	<input type="checkbox"/>	<input type="checkbox"/>	<input type="checkbox"/>	<input type="checkbox"/>	<input type="checkbox"/>	<input type="checkbox"/>	<input type="checkbox"/>	<input type="checkbox"/>	<input type="checkbox"/>	<input type="checkbox"/>	<input type="checkbox"/>	<input type="checkbox"/>	<input type="checkbox"/>	<input type="checkbox"/>	<input type="checkbox"/>	<input type="checkbox"/>	<input type="checkbox"/>	<input type="checkbox"/>	<input type="checkbox"/>	<input type="checkbox"/>	<input type="checkbox"/>	<input type="checkbox"/>	n/a
M Sport braking system, High-gloss Blue Only with M Sport Pro Pack	-	<input type="checkbox"/>	-	-	■	-	-	■	-	-	■	-	-	■	-	-	<input type="checkbox"/>	-	-	<input type="checkbox"/>	-	-	■	-	n/a
Parking Assistant Comprises: – Active Park Distance Control – Lateral parking aid – Park Distance Control (PDC), front and rear – Rear-view camera	■	■	■	■	■	■	■	■	■	■	■	■	■	■	■	■	■	■	■	■	■	■	■	■	Std
Parking Assistant Plus Comprises all functionality of Parking Assistant, plus: – Remote 3D View – Surround View Included in Technology Plus Pack	<input type="checkbox"/>	<input type="checkbox"/>	<input type="checkbox"/>	<input type="checkbox"/>	<input type="checkbox"/>	<input type="checkbox"/>	<input type="checkbox"/>	<input type="checkbox"/>	<input type="checkbox"/>	<input type="checkbox"/>	<input type="checkbox"/>	<input type="checkbox"/>	<input type="checkbox"/>	<input type="checkbox"/>	<input type="checkbox"/>	<input type="checkbox"/>	<input type="checkbox"/>	<input type="checkbox"/>	<input type="checkbox"/>	<input type="checkbox"/>	<input type="checkbox"/>	<input type="checkbox"/>	<input type="checkbox"/>	<input type="checkbox"/>	£650

/ = Indicates 'or' * = Saloon models only. ^ = Touring models only. ¹ = Please note that heavy accidents with hard disc damages or camera damages are owing to circumstances where videos may not be recorded or saved.

■ Standard equipment □ Optional equipment - Not available



520i SE	520i M Sport	520i M Sport Edition	530e SE	530e M Sport	530e M Sport Edition*	530e xDrive SE	530e xDrive M Sport	530e xDrive M Sport Edition*	540i xDrive SE^	540i xDrive M Sport^	540i xDrive M Sport Edition^	545e xDrive SE*	545e xDrive M Sport*	545e xDrive M Sport Edition*	M550i xDrive*	520d SE	520d M Sport	520d M Sport Edition	520d xDrive SE	520d xDrive M Sport	520d xDrive M Sport Edition	530d xDrive SE	530d xDrive M Sport	530d xDrive M Sport Edition	

Price

AUDIO & COMMUNICATION

BMW Emergency Call ¹	■	■	■	■	■	■	■	■	■	■	■	■	■	■	■	■	■	■	■	■	■	■	■	■	■	Std
BMW Live Cockpit Professional Comprises: – 12.3" Control Display with Touch Functionality – 12.3" Digital Instrument Display – BMW Intelligent Personal Assistant ² – BMW Operating System 7.0 – iDrive Controller with Touch Function – Intelligent Functionalities ² – Remote Software Upgrade ² For further details, see BMW ConnectedDrive	■	■	■	■	■	■	■	■	■	■	■	■	■	■	■	■	■	■	■	■	■	■	■	■	■	Std
BMW Online Services ^{2,3} – BMW Apps – BMW Online Services – Last State Call ^{1,3} – USB and Over-the-air Map Updates	■	■	■	■	■	■	■	■	■	■	■	■	■	■	■	■	■	■	■	■	■	■	■	■	■	Std

* = Saloon models only. ^ = Touring models only. ¹ = Available and active without runtime limitations. Usage cannot be guaranteed permanently due to potential future technical developments (of the Service availability and/or Smartphone compatibility/operating systems). ² = Active for 3 years, renewable thereafter at an additional cost. ³ = Requires a free BMW ConnectedDrive account.

■ Standard equipment □ Optional equipment - Not available



520i SE	520i M Sport	520i M Sport Edition	530e SE	530e M Sport	530e M Sport Edition*	530e xDrive SE	530e xDrive M Sport	530e xDrive M Sport Edition*	540i xDrive SE^	540i xDrive M Sport^	540i xDrive M Sport Edition^	545e xDrive SE*	545e xDrive M Sport*	545e xDrive M Sport Edition*	M550i xDrive*	520d SE	520d M Sport	520d M Sport Edition	520d xDrive SE	520d xDrive M Sport	520d xDrive M Sport Edition	530d xDrive SE	530d xDrive M Sport	530d xDrive M Sport Edition	Price
---------	--------------	----------------------	---------	--------------	-----------------------	----------------	---------------------	------------------------------	-----------------	----------------------	------------------------------	-----------------	----------------------	------------------------------	---------------	---------	--------------	----------------------	----------------	---------------------	-----------------------------	----------------	---------------------	-----------------------------	-------

AUDIO & COMMUNICATION (CONT.)






BMW TeleServices ¹	■	■	■	■	■	■	■	■	■	■	■	■	■	■	■	■	■	■	■	■	■	■	■	■	Std
Connected Package Professional ^{2,3} Comprises: – BMW Maps – Concierge Services – Connected Music – Connected Parking – Connected Teaser ^{4,5} – Connected Charging ^{2,6} – In-Car Experiences – Real Time Traffic Information – Remote 3D View ⁷ – Remote Services – Smartphone Integration ^{1,8} For further details, see BMW ConnectedDrive	■	■	■	■	■	■	■	■	■	■	■	■	■	■	■	■	■	■	■	■	■	■	■	■	Std
Loudspeaker system – harman/kardon Included in Technology Pack / Technology Plus Pack	□	□	□	□	□	□	□	□	□	□	□	□	□	□	■	□	□	□	□	□	□	□	□	□	£820
IconicSounds Sport ^{2,9}	-	-	-	-	-	-	-	-	□	□	□	-	-	-	-	-	-	-	-	-	-	-	-	-	n/a
Bowers & Wilkins Diamond Surround Sound System Included in Technology Pack / Technology Plus Pack	□	□	□	□	□	□	□	□	□	□	□	□	□	□	-	□	□	□	□	□	□	□	□	□	£4,220

* = Saloon models only. ^ = Touring models only. ¹ = Available and active without runtime limitations. Usage cannot be guaranteed permanently due to potential future technical developments (of the Service availability and/or Smartphone compatibility/operating systems). ² = Requires a free BMW ConnectedDrive account. ³ = Active for 3 years, renewable thereafter at an additional cost. ⁴ = Includes BMW Music for a three month trial. For further details, see [BMW ConnectedDrive](#). ⁵ = Available and active for three months. Can be extended or renewed thereafter at an extra cost. ⁶ = Exclusively available on 530, 530e xDrive and 545e xDrive models for three years. ⁷ = Only in combination with Parking Assistant Plus. ⁸ = Functions using a data connection will use data from the SIM card in the phone. Additional data charges may be applied by the mobile network provider. Compatibility and functions may vary due to the make and model year of the phone and the version of software installed on it. ⁹ = Available for purchase via the BMW ConnectedDrive store after vehicle production has been completed.



520i SE	520i M Sport	520i M Sport Edition	530e SE	530e M Sport	530e M Sport Edition*	530e xDrive SE	530e xDrive M Sport	530e xDrive M Sport Edition*	540i xDrive SE^	540i xDrive M Sport^	540i xDrive M Sport Edition^	545e xDrive SE*	545e xDrive M Sport*	545e xDrive M Sport Edition*	M550i xDrive*	520d SE	520d M Sport	520d M Sport Edition	520d xDrive SE	520d xDrive M Sport	520d xDrive M Sport Edition	530d xDrive SE	530d xDrive M Sport	530d xDrive M Sport Edition	Run-flat tyres ¹	Price
---------	--------------	----------------------	---------	--------------	-----------------------	----------------	---------------------	------------------------------	-----------------	----------------------	------------------------------	-----------------	----------------------	------------------------------	---------------	---------	--------------	----------------------	----------------	---------------------	-----------------------------	----------------	---------------------	-----------------------------	-----------------------------	-------

LIGHT ALLOY WHEELS

	17" V-spoke style 618	■	-	-	-	-	-	-	-	-	-	-	-	-	-	■	-	-	■	-	-	-	-	-	-	-	-	Std
	18" Multi-spoke style 619	□	-	-	■	-	-	■	-	-	■	-	-	-	-	□	-	-	□	-	-	-	■	-	-	-	-	£1,395
	18" Double-spoke style 844	□	-	-	-	-	-	-	-	-	-	-	-	-	-	□	-	-	□	-	-	-	-	-	-	-	-	£1,645 £250
	19" V-spoke style 635, Bicolour	□	-	-	-	-	-	-	-	-	-	-	-	-	-	□	-	-	□	-	-	-	-	-	-	-	-	£2,390 £995
	18" M Double-spoke style 662 M	-	-	-	-	■	-	-	■	-	-	-	-	-	-	-	-	-	-	-	-	-	-	-	-	-	-	Std

See [Wheels & Tyres](#) for further details. * = Saloon models only. ^ = Touring models only. ¹ = Mobility kit is standard where run-flat tyres are not available.

■ Standard equipment □ Optional equipment - Not available



520i SE	520i M Sport	520i M Sport Edition	530e SE	530e M Sport	530e M Sport Edition*	530e xDrive SE	530e xDrive M Sport	530e xDrive M Sport Edition*	540i xDrive SE^	540i xDrive M Sport^	540i xDrive M Sport Edition^	545e xDrive SE*	545e xDrive M Sport*	545e xDrive M Sport Edition*	M550i xDrive*	520d SE	520d M Sport	520d M Sport Edition	520d xDrive SE	520d xDrive M Sport	520d xDrive M Sport Edition	530d xDrive SE	530d xDrive M Sport	530d xDrive M Sport Edition	Run-flat tyres ¹	Price
---------	--------------	----------------------	---------	--------------	-----------------------	----------------	---------------------	------------------------------	-----------------	----------------------	------------------------------	-----------------	----------------------	------------------------------	---------------	---------	--------------	----------------------	----------------	---------------------	-----------------------------	----------------	---------------------	-----------------------------	-----------------------------	-------

LIGHT ALLOY WHEELS (CONT.)

	19" M Y-spoke style 845 M, Jet Black	-	■	-	-	□*	-	-	□*	-	-	■	-	-	■	-	-	-	-	■	-	-	-	■	-	-	£1,295	
	In conjunction with M Sport Pro Pack	-	-	-	-	□*	-	-	□*	-	-	-	-	-	-	-	-	-	-	-	-	-	-	-	-	-	£0	
	20" M Y-spoke style 846 M, Bicolour Jet Black	-	□	-	-	-	-	-	-	-	□	-	-	□	-	-	-	-	-	□	-	-	-	□	-	■	£995	
	In conjunction with M Sport Pro Pack	-	-	-	-	□*	-	-	□*	-	-	-	-	-	-	-	-	-	-	-	-	-	-	-	-	-	■	£2,290
		-	-	-	-	-	-	-	-	-	-	-	-	-	-	-	-	-	-	-	-	-	-	-	-	-	■	£0
		-	□	-	-	-	-	-	-	-	-	□	-	-	□	-	-	-	-	-	□	-	-	-	□	-	■	£0
		-	-	-	-	□*	-	-	□*	-	-	-	-	-	-	-	-	-	-	-	-	-	-	-	-	-	■	£500
	20" M M Edition style 1001 M	-	-	■	-	-	■	-	-	■	-	-	-	■	-	-	-	■	-	■	-	-	-	■	-	-	Std	
	20" M Double-spoke style 668 M	-	-	-	-	-	-	-	-	-	-	-	-	-	■	-	-	-	-	-	-	-	-	-	■	Std		

See [Wheels & Tyres](#) for further details. * = Saloon models only. ^ = Touring models only. ¹ = Mobility kit is standard where run-flat tyres are not available.

■ Standard equipment □ Optional equipment - Not available



530e SE	530e M Sport	530e M Sport Edition*	530e xDrive SE	530e xDrive M Sport	530e xDrive M Sport Edition*	545e xDrive SE*	545e xDrive M Sport*	545e xDrive M Sport Edition*
---------	--------------	-----------------------	----------------	---------------------	------------------------------	-----------------	----------------------	------------------------------

Price

360° ELECTRIC

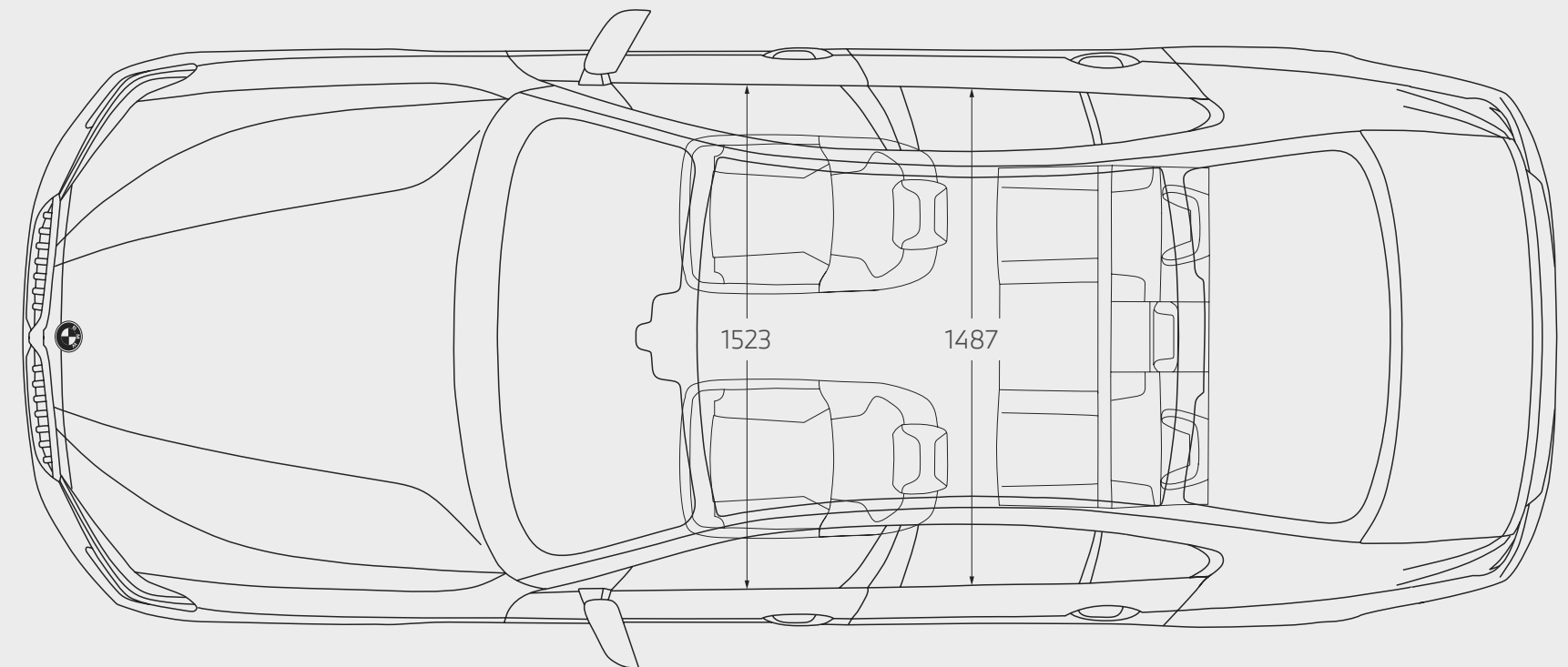
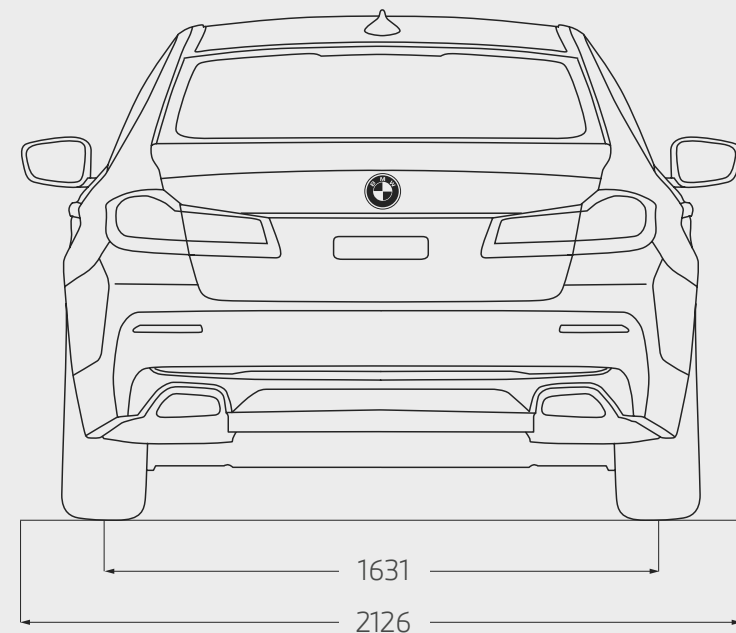
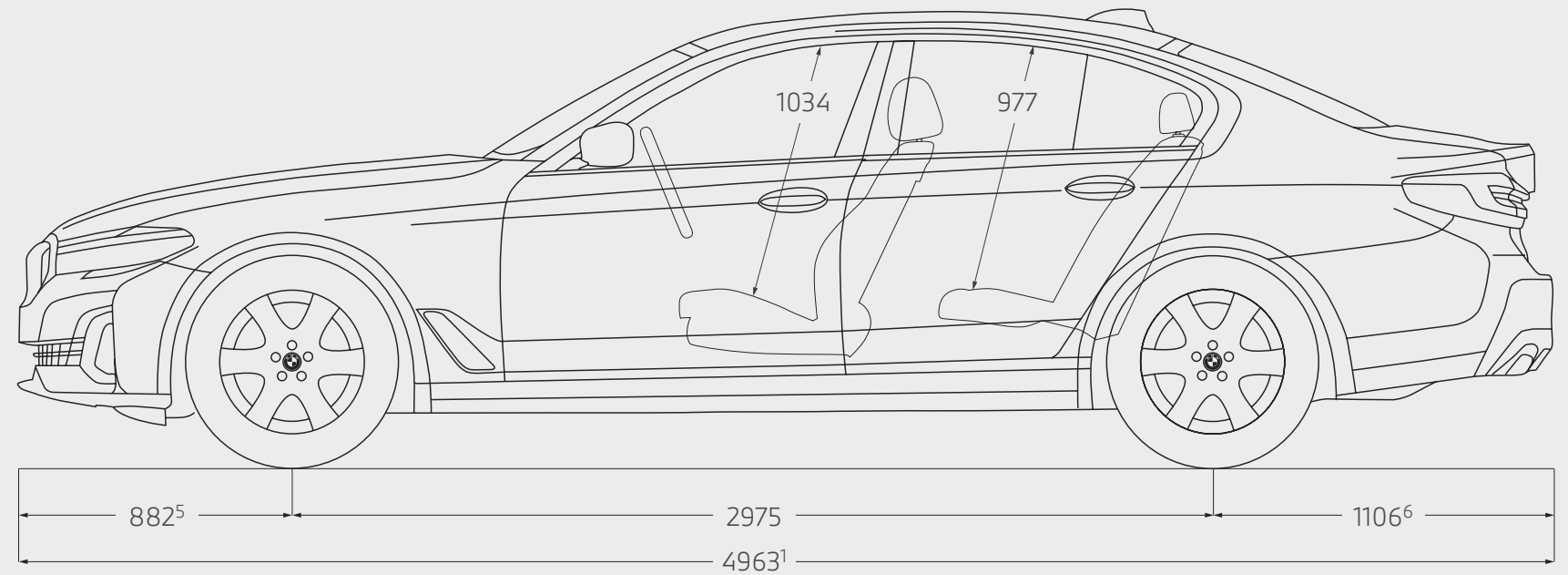
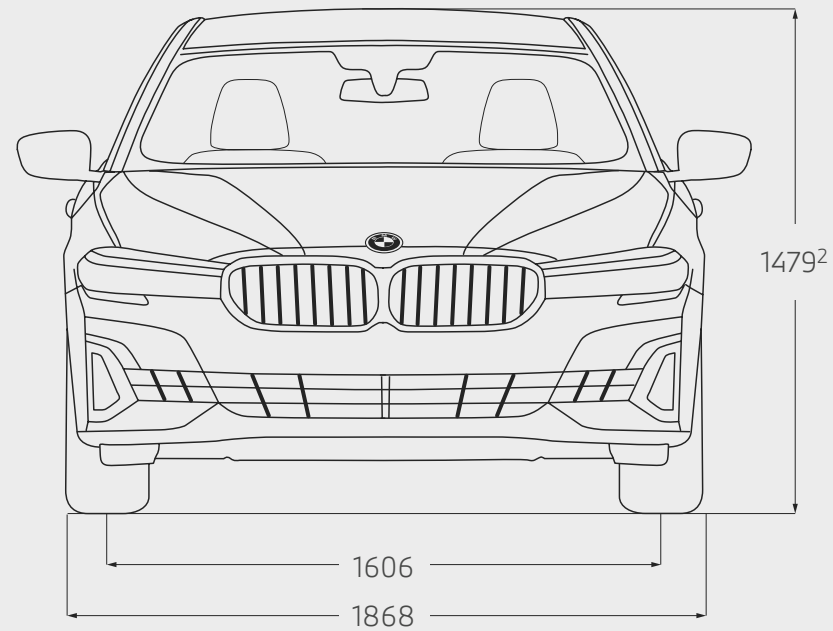
Digital Charging Service – 12 months subscription ¹	■	■	■	■	■	■	■	■	■	n/a
Home charging: BMW i Wallbox Connect (32 Amp) with Standard Installation ²	□	□	□	□	□	□	□	□	□	From £975+
Public Charging: BMW i AC Rapid Charge Cable (5 metre length) – Max 32 Amp 3-phase public charging cable, Type 2 connectors	■	■	■	■	■	■	■	■	■	n/a
Public Charging: BMW i AC Fast Charge Cable (8 metre length) – Max 32 Amp 1-phase public charging cable, Type 2 connectors	□	□	□	□	□	□	□	□	□	£195
Public charging: ChargeNow – Pay as you go charging ³	□	□	□	□	□	□	□	□	□	£7.85 per month
Assistance Services – BMW i Mobile Care – Battery Warranty – Vehicle Warranty	■	■	■	■	■	■	■	■	■	n/a



* = Saloon models only. + = Subject to OLEV subsidy and qualification which may be liable to change, for further details please speak to your local BMW Centre. For more information about Plug-In Hybrid Electric Vehicles please visit [here](#). ¹ = 12 months subscription from production date only, renewable thereafter for £45 per annum via the ConnectedDrive Store. ² = Includes 3 year warranty. ³ = Available as a stand alone service. Terms and Conditions apply, find out more at [here](#).

DIMENSIONS.

THE NEW BMW 5 SERIES SALOON.

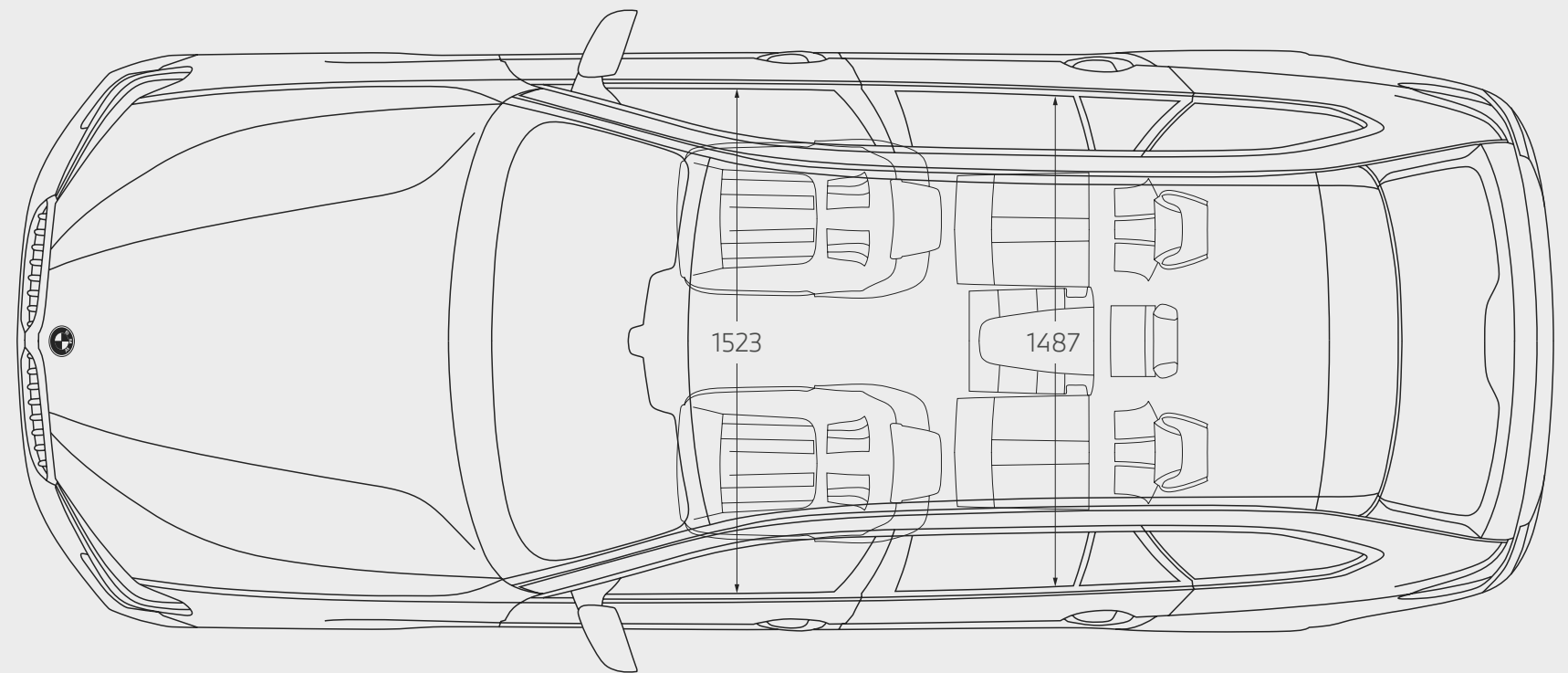
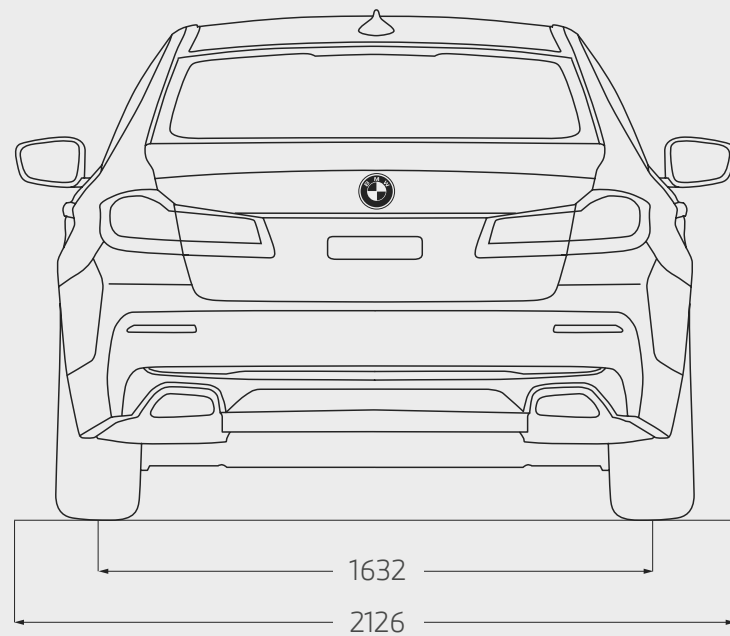
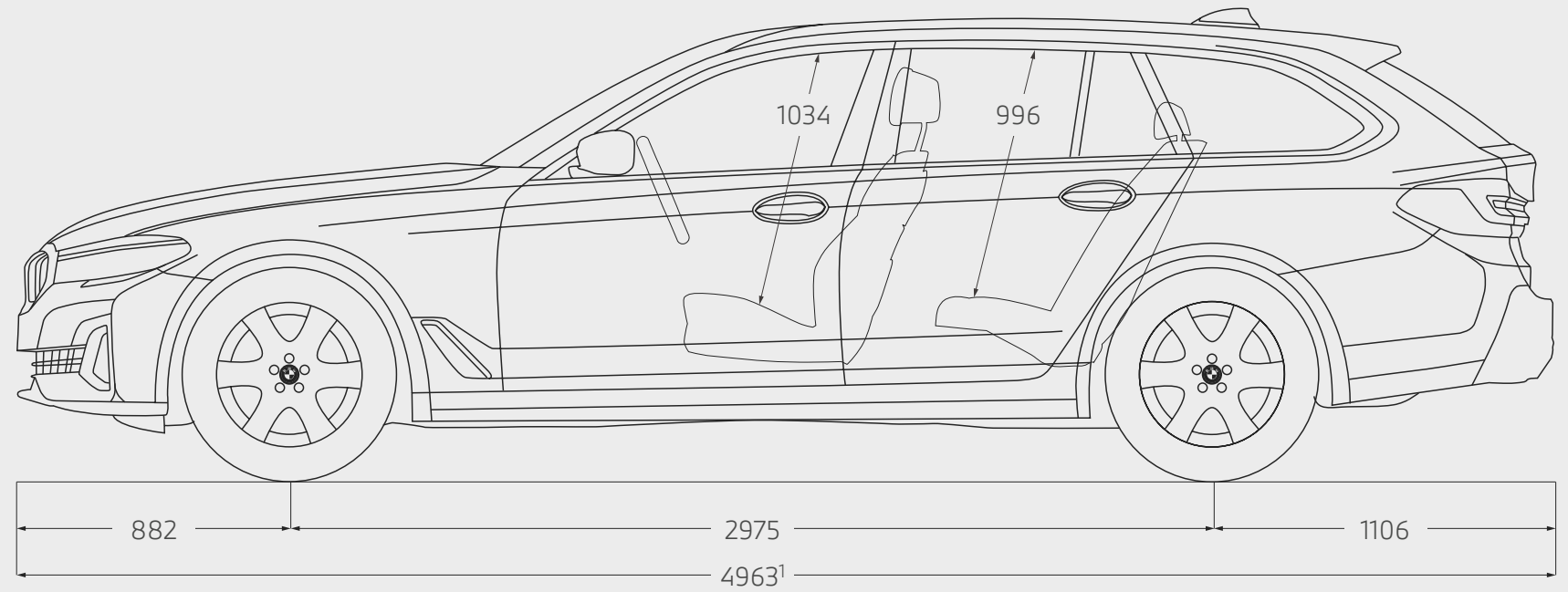
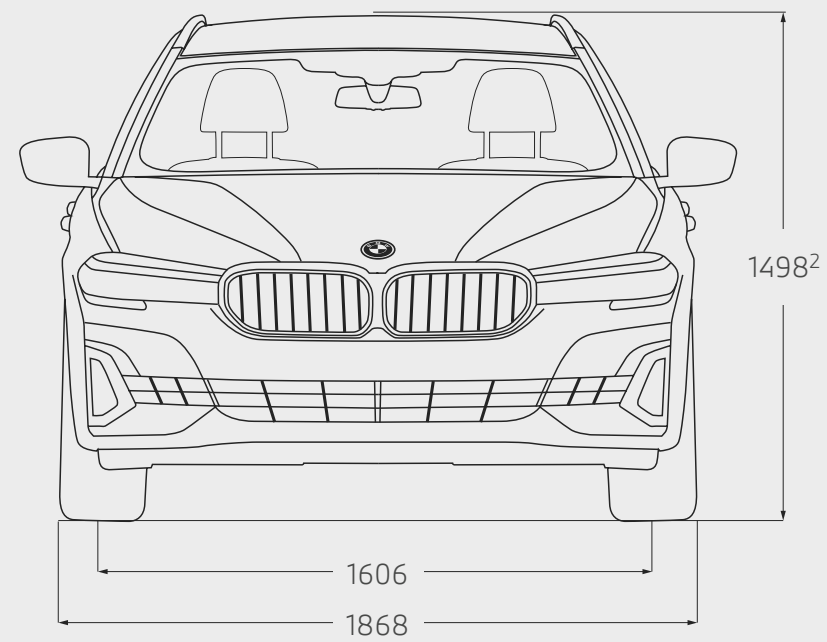


Length (mm)	4963 ¹	Height (mm)	1479 ²	Number of seats	5	Turning circle (m)	12 ³
Width (mm)	1868	Width including mirrors (mm) (Driver / Passenger)	2126 (1069 / 1057)	Wheelbase (mm)	2975	Luggage capacity (litre)	530 ⁴

¹ = M550i xDrive: 4972mm. ² = 530e, 530e xDrive and 545e xDrive: 1483mm; M550i xDrive: 1467mm. ³ = xDrive models: 12.4m. ⁴ = 530e, 530e xDrive and 545e xDrive: 410 litres. ⁵ = M550i xDrive: 886mm. ⁶ = M550i xDrive: 1111mm.

DIMENSIONS.

THE NEW BMW 5 SERIES TOURING.



Length (mm)	4963 ¹	Height (mm)	1498 ²	Number of seats	5	Turning circle (m)	12 ³
Width (mm)	1868	Width including mirrors (mm) (Driver / Passenger)	2126 (1069 / 1057)	Wheelbase (mm)	2975	Luggage capacity (litre)	560-1700 ⁴

¹ = M550i xDrive: 4972mm. ² = 530e, 530e xDrive and 545e xDrive: 1483mm; M550i xDrive: 1467mm. ³ = xDrive models: 12.4m. ⁴ = 530e and 530e xDrive: 430-1560 litres.

BMW PAY MONTHLY SERVICING & TRACKSTAR.

SERVICING MADE SIMPLE.

Planning for the road ahead has never been easier. With the BMW Pay Monthly Service Plan¹ you can remove the uncertainty often associated with car servicing costs by spreading them monthly, much like you would your household bills. Our Pay Monthly service plan covers two services and any unused credit can be transferred to another BMW if you decide to switch unexpectedly. As part of the Pay Monthly plan you will also receive a number of added extras including:

- Fluid top ups
- An MOT
- A Wash & Vac each time you visit
- Seasonal health checks
- Sat Nav Map updates

Get the quality service and parts you expect from BMW with a fixed monthly payment. Give your BMW the care and attention it deserves from the experts that made it.

Price: £25 per month for 36 months

Please contact your preferred BMW Centre for further information.

BMW TRACKSTAR.

Locate and recover your vehicle if it is stolen with BMW Trackstar or BMW Trackstar Advance.

Benefits include:

- 24/7 Trackstar Monitoring Centre
- Thatcham accredited
- Integrated motion sensor
- Pan-European protection

BMW Trackstar S7 price from: £399²

BMW Trackstar S5 price from £549²

BMW Trackstar S5 Advance price from: £649²



BMW CONNECTED DRIVE SERVICES.

BMW ConnectedDrive keeps driver and vehicle connected with the outside world. Digital services, driver-focused technologies and driver assistance systems provide more comfort, more entertainment and more safety. Increase your driving pleasure – with BMW ConnectedDrive.

For further information on BMW ConnectedDrive and the General Terms and Conditions of Service for ConnectedDrive, please see: www.bmw.co.uk/connecteddrive-information

The BMW ConnectedDrive Hotline is available on: +44 (0) 800 561 0555 from Monday to Friday 8am – 7pm and Saturday to Sunday 9am – 5pm.

CONNECTED DRIVE SERVICES DURATION

BMW Music	3 month trial
BMW Apps	3 years
BMW Intelligent Personal Assistant	3 years
BMW Maps	3 years
BMW Online Services	3 years
Concierge Services	3 years
Connected Charging (530e / 530e xDrive / 545e xDrive only)	3 years
Connected Music	3 years
Connected Parking	3 years
Intelligent Functionalities	3 years
Map Updates	3 years
Real Time Traffic Information	3 years
Remote Services	3 years
Remote Software Upgrade	3 years
BMW Emergency Call	Active without runtime limitations
BMW TeleServices	Active without runtime limitations
Last State Call	Active without runtime limitations
Smartphone Integration	Active without runtime limitations

GENERAL INFORMATION

BMW (UK) Ltd, Summit ONE, Summit Avenue, Farnborough, Hampshire, GU14 0FB (hereinafter referred to as "BMW") provides the customer with certain vehicle-related information and assistance functions (hereinafter called "Services") under the name of "BMW ConnectedDrive". BMW collects, stores or processes car-related data in compliance with applicable law and only to the extent necessary to provide the Services. BMW does not collect, store or process personal data in course of the Services – except where this is explicitly stated in the service description of the individual Services. In the case of Services that require personal data to be collected, stored and processed so that such Services can actually be provided, BMW informs customers of this in advance by providing this data protection notice. The Services are provided by means of a SIM card installed in the vehicle.

DEACTIVATION

You can have the BMW ConnectedDrive services deactivated through an authorised BMW centre, a BMW subsidiary or a BMW authorised workshop at any time. This also has the consequence that aspects of the emergency call in the vehicle as well as all remaining Services will no longer function.

You can additionally arrange for the remaining Services to be deactivated via "My BMW ConnectedDrive".

If the vehicle is equipped with the legally required EU Emergency Call (as from April 2018) a deactivation of the BMW ConnectedDrive basic services will not deactivate the vehicle's built-in SIM card. It has to remain active, so that the EU Emergency Call is functional all the time.

Services that are available and active without runtime limitations, cannot be guaranteed for permanent usage due to potential future technical developments (of the Service availability and/or Smartphone compatibility/operating systems).





READY TO TAKE THE NEXT STEP?