



THE

COUPÉ  
CONVERTIBLE  
GRAN COUPÉ



Best viewed in  
landscape mode



# THE BMW 8 SERIES

COUPÉ, CONVERTIBLE & GRAN COUPÉ

RETURN BY CLICKING   
SELECT A TOPIC BELOW TO EXPLORE:

INSPIRATION



IMAGINATION



INNOVATION



INFORMATION

Content correct at time of publishing (as of January 2021). Prices and technical data subject to change. The models shown on these pages may feature optional equipment. Standard equipment may also vary depending on engine variant. For further details, please contact your local BMW Centre.

"THE NUMBER 8 HAS ALWAYS REPRESENTED THE PINNACLE OF SPORTS PERFORMANCE AND EXCLUSIVITY AT BMW. THE NEW BMW 8 SERIES DEMONSTRATES THAT RAZOR-SHARP DYNAMICS AND MODERN LUXURY CAN GO HAND-IN-HAND."

Harald Krüger  
Chairman of the Board of Management BMW AG



"....IT IS A LUXURIOUS SPORTS CAR WHICH EMBODIES BOTH UNADULTERATED DYNAMICS AND MODERN LUXURY LIKE ARGUABLY NO OTHER. FOR ME, IT'S A SLICE OF PURE AUTOMOTIVE FASCINATION."

Adrian Van Hooydonk  
Senior Vice President BMW Group Design

INSPIRATION



AN ICON IS REBORN

## EXTERIOR DESIGN



## PROPORTIONED FOR POWER AND BEAUTY

The generously curved and muscular surfaces give the BMW 8 Series Coupé a confident sportiness. Voluminous rear wheel arches emphasise a low centre of gravity and wide rear lights in the BMW typical L shaped design underscore the strong shoulders.

## FREEDOM AT THE TOUCH OF A BUTTON

Thanks to new clamp technology, the innovative soft-top blends harmoniously into the dynamic lines of the BMW 8 Series Convertible. At a push of a button, it opens and closes electrically in approximately 15 seconds and at speeds of up to 31mph (49km/h). This extremely high-quality soft-top additionally provides excellent noise insulation.



## EXPERIENCE A VIEW LIKE NO OTHER

You'll feel completely at home under the optional Panoramic glass roof exclusively available for the Gran Coupé model. The large continuous glass surface extends far into the rear and emphasises the BMW 8 Series Gran Coupé from the outside. From the inside, it opens the view and creates a light-flooded, airy atmosphere from all seats.



## INTERIOR DESIGN



### COMFORT IS JUST THE START

In the BMW 8 Series Gran Coupé passengers experience an enclosed feeling even on dynamic journeys due to the single-seat design at the rear, which is visually oriented to the seats in the cockpit: not only do they offer ideal support they also spread an unparalleled sports car atmosphere.



### SPARKLING DESIGN DETAILS

Available as optional equipment, CraftedClarity glass application is an experience for the hands and the eyes. The handmade crystal cut glass on selected control features such as the gear selector, the Start/Stop button and iDrive Controller add to the already noble ambience.



### A SYMPHONY FOR THE SENSES

Bowers & Wilkins Diamond Surround Sound System creates an audio experience that turns every nuance, every emotion of music into an acoustic revelation with its pure, rich and precise sound. Exclusively available as part of Technology Plus pack and Ultimate pack.



### OPEN ROOF COMFORT

In the BMW 8 Series Convertible, the Air collar integrated in the height-adjustable front headrests ensures a pleasant journey, even when driving on cold days with the top open, thanks to a three-stage adjustable warm airflow.

# M850i xDRIVE

MODELS



# M850i xDRIVE

MODELS



## M850i xDRIVE

In addition / replacement to M Sport models

### EXTERIOR

- 20" M light alloy Y-spoke style 728 M wheels, Bicolour Cerium Grey with performance and mixed tyres
- M Technology Package (Coupé and Gran Coupé only):
  - Front lip spoiler and cooling package with indirect charging air cooling (flow optimised)
- Cerium Grey in the following content:
  - Air breather
  - Kidney frame and struts
  - Mirror caps
  - Model designation on side and rear
- Front apron with spoiler lip on bumper
- Sport exhaust system

### INTERIOR

- Sun protection glass (Coupé and Gran Coupé only)

### SAFETY & TECHNOLOGY

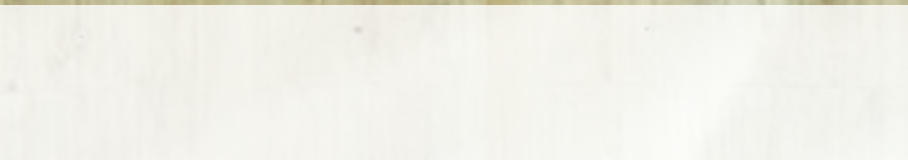
- 19" M Sport braking system
- M Sport differential
- BMW Twin Power Turbo eight-cylinder petrol engine





# M SPORT

MODELS



# M SPORT

## MODELS

### EXTERIOR

- 18" M Sport braking system
- 20" M light alloy Y-spoke style 728 M wheels, Bicolour with run-flat and mixed tyres
- Carbon Core
- M Sport differential
- Exterior mirrors –folding, heated, electrically adjustable
- Exterior trim, High-gloss Shadowline
- M aerodynamic bodystyling with front apron, side sills and rear apron with diffuser insert in Dark Shadow metallic
- M rear spoiler, body colour (Coupé only)
- Soft-top Black, fully automatic and lined (Convertible only)
- Tailgate operation, powered

### INTERIOR

- Air collar neck heating (Convertible only)
- Air conditioning, automatic with four-zone control (Gran Coupé only)
- Air conditioning, automatic with two-zone control (Coupé and Convertible only)
- Ambient lighting, dynamic
- Black Merino leather upholstery with extended contents
- Seat adjustment, electric, with driver memory
- Seat heating, front (Coupé and Convertible only)
- Seat heating, front & rear (Gran Coupé only)
- Sport seats, front
- M leather steering wheel
- Climate Comfort windscreen
- Headlining, Anthracite (Coupé and Convertible only)
- iDrive Touch Controller with shortcut buttons
- Interior mirror, frameless
- Interior trim, Stainless steel fabric
- Roll-over protection system (Convertible only)

### SAFETY & TECHNOLOGY

- 48V Mild Hybrid Technology (840d xDrive only)
- Active Guard
- BMW Icon Adaptive LED Headlights
- High-beam Assistant
- Comfort Access
- Eight-speed automatic transmission with gearshift paddle switches
- Head-up Display
- Integral Active Steering (840d xDrive only)
- M Sport differential (840i only)
- Parking Assistant
- Park Distance Control (PDC), front and rear
- Rear-view camera
- xDrive (840d xDrive only)
- Tyre Pressure Warning
- Warning Triangle

### AUDIO & COMMUNICATION

- BMW Live Cockpit Professional, comprising:
  - 12.3" Digital Instrument Display
  - 10.25" Control Display with Touch Function
  - BMW Intelligent Personal Assistant
  - BMW Operating System 7.0
  - iDrive Controller with Touch Function
  - Intelligent Functionalities
  - Remote Software Upgrade
- Loudspeaker system – harman/kardon



INNOVATION

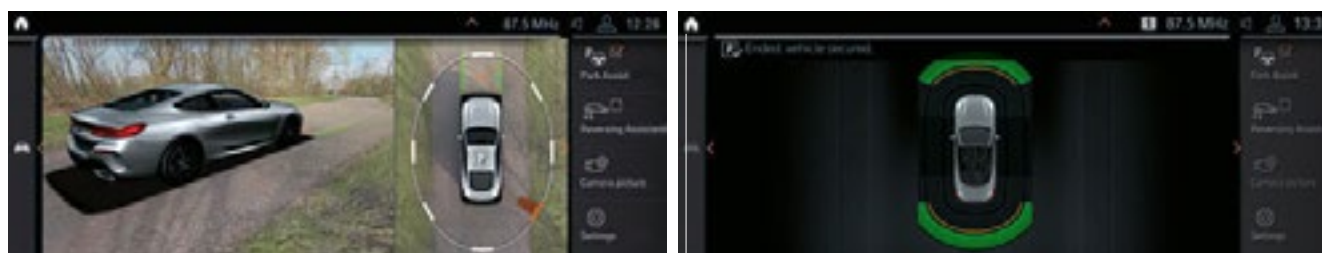


VISIONARY INTELLIGENCE

# DRIVER ASSISTANCE HIGHLIGHTS

## PARKING ASSISTANT PLUS

Parking Assistant Plus makes parking and manoeuvring the vehicle easier. It features the Surround View system including Top View, Panorama View and Remote View 3D as well as Lateral Parking Aid, Parking Assistant with linear guidance and Reversing Assistant. Exclusively available as part of Technology Plus pack and Ultimate pack.



## DRIVING ASSISTANT PROFESSIONAL

Driving Assistant Professional offers optimum comfort and maximum safety during monotonous or complex driving situations. These can include traffic jams, stop-and-go traffic or long journeys through the city, on country roads or motorways, along with navigating junctions and lane changes. Exclusively available as part of Technology Plus pack and Ultimate pack.



## BMW HEAD-UP DISPLAY

The BMW Head-up Display projects all information relevant to the journey directly into the driver's field of vision on the windscreen thereby allowing them to fully concentrate on driving. Information such as the current speed, navigation directions, telephone and entertainment information can be displayed alongside additional optional equipment. Display of full content is dependent on optional equipment ordered.



## CONNECTIVITY AND INFOTAINMENT HIGHLIGHTS



### BMW INTELLIGENT PERSONAL ASSISTANT

'Hey, BMW. Who are you?' Wouldn't it be incredible if your BMW also came with a personal assistant? Communicate with your vehicle using the BMW Intelligent Personal Assistant. BMW Intelligent Personal Assistant understands natural speech. It interacts with your BMW and has the ability to learn driver preferences. You can assign your own personal activation word. It can explain everything about your car and helps you to get to know your BMW even better. Active and available for three years. Renewable thereafter.



### REMOTE SOFTWARE UPGRADE

With Remote Software Upgrade your BMW stays up-to-date and is future-proof. The upgrades are downloaded via a smartphone with the BMW Connected App and ideally a WiFi connection or over-the-air directly into the car to provide secure updates and functionality upgrades. Active and available for three years. Renewable thereafter.



### BMW LIVE COCKPIT PROFESSIONAL

BMW Live Cockpit Professional includes a high-quality display network consisting of a high-resolution 10.25" Control Display that can be operated by touch and a fully digital 12.3" instrument Display.

## COMFORT AND FUNCTIONALITY HIGHLIGHTS



### AMBIENT LIGHTING

Through numerous LED lights, Ambient lighting produces a pleasant lighting mood in the interior and a special sense of space in the dark. Colours, brightness and colour scenarios can be adjusted individually. The equipment includes contour and map pocket lighting as well as a light guide in the centre console.

### BMW DIGITAL KEY

Your car key? No need for that anymore. You can lock and unlock your BMW and even start it with the Digital Key. You can also authorise up to five people with an iPhone® – if compatible – to use your BMW. Among other things, drive power and maximum speed can be limited. Digital Key is available and active without runtime limitations. Usage cannot be guaranteed permanently due to potential future technical developments (of the Service availability and/or Smartphone compatibility/operating systems). Only available with a compatible iPhone®.



### FRONT MULTI-FUNCTIONAL SPORT SEATS

Multi-functional Sport seats for the driver and front passenger offer exceptional seating comfort and safety. Comprehensive adjustment possibilities ensure the seats can be optimally adapted to personal requirements by electric backrest width and manual seat depth adjustments.



IMAGINATION



THE EPITOME OF PERFECTION

# BMW INDIVIDUAL



The combination of BMW Individual Tanzanite Blue II metallic paint with 20" BMW Individual light alloy V-spoke style 730 I wheels exude style that is coupled with athleticism.



Shown above is BMW Individual Extended Merino leather in eye-catching Tartufo and sophisticated Black.



BMW Individual Full Merino leather in Ivory White and Night Blue with its fascinating colour combination. The immaculate quality is distinctive and exclusive.

## LET YOUR CHOSEN BMW 8 SERIES BE INSPIRED BY BMW INDIVIDUAL.

Choose from a wide range of high-quality, sophisticated interior and exterior options to create exactly the BMW 8 Series you've always dreamed of. Because with BMW Individual anything is possible.

BMW Individual. More diversity. More exclusivity. More personality. [Click here](#) to find out more.

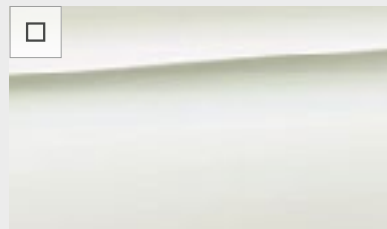


BMW Individual Frozen Bluestone metallic



# EXTERIOR COLOURS

## ALL MODELS



Non-metallic Alpine White



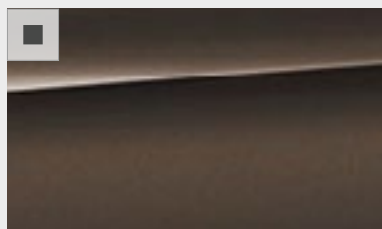
Metallic Barcelona Blue



Metallic Black Sapphire



Metallic Carbon Black



Metallic Dravit Grey



Metallic Mineral White



Metallic Sunset Orange

## EXCLUSIVELY FOR M850i xDRIVE MODELS



Metallic Bluestone

## BMW INDIVIDUAL



BMW Individual Aventurine Red II metallic



BMW Individual Frozen Bluestone metallic



BMW Individual Tanzanite Blue metallic

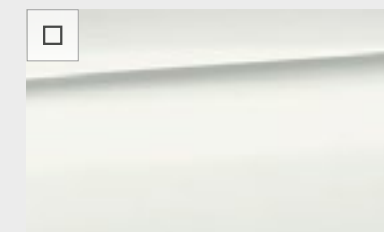
## BMW INDIVIDUAL SPECIAL REQUEST



BMW Individual Brilliant White metallic



BMW Individual Frozen Arctic Grey metallic



BMW Individual Frozen Brilliant White metallic



BMW Individual Frozen Cashmere Silver metallic



BMW Individual Frozen Dark Brown metallic



BMW Individual Frozen Dark Silver metallic



BMW Individual Pure Metal Silver

Available upon special request, please consult your BMW Centre for more information.

**Colour samples** These colour samples are intended as an initial guide to the colours and materials available for your BMW. However, experience has shown that printed versions of paint, upholstery and interior trim colours cannot in all cases faithfully reproduce the appearance of the original colour. Please discuss your preferred colour choices with your BMW Centre. There you can also see original samples and be assisted with any requests.

■ Standard equipment   □ Optional equipment

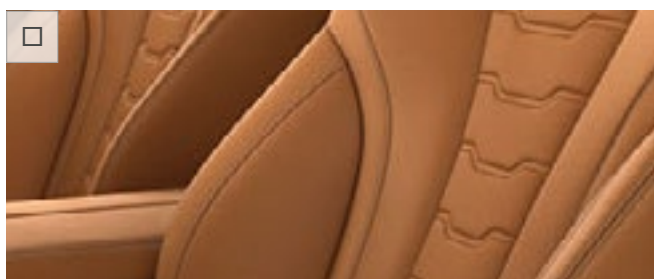
# INTERIOR COLOURS



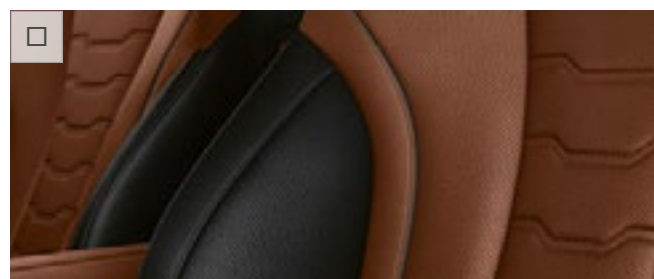
BMW Individual Extended Merino Leather in Ivory White



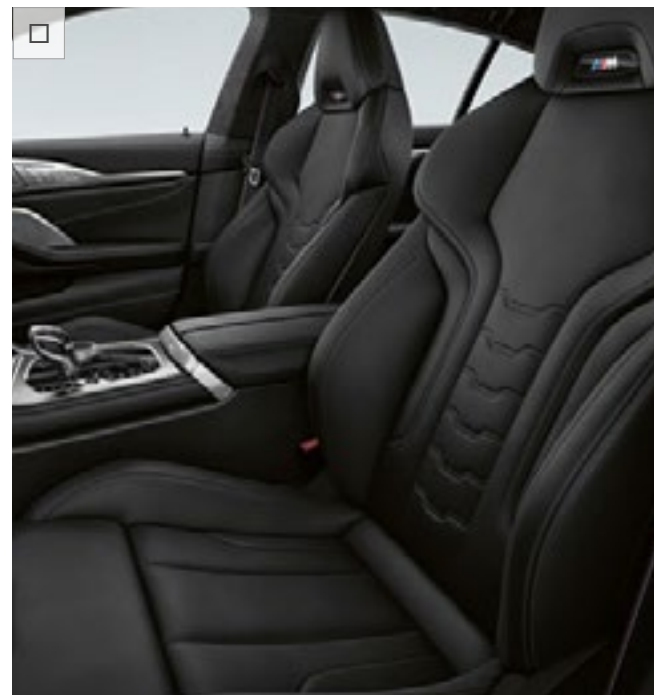
BMW Individual Extended Merino Leather in Night Blue and Black



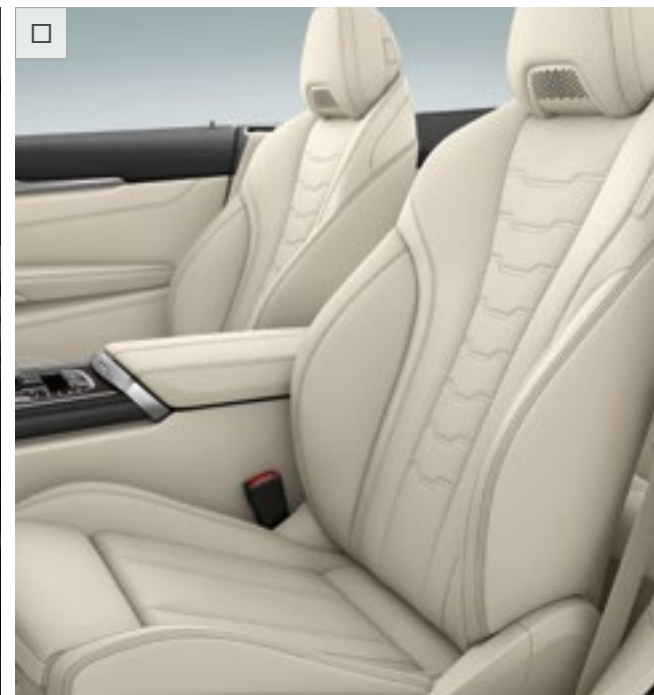
BMW Individual Extended Merino Leather in Cognac



BMW Individual Extended Merino Leather in Tartufo and Black



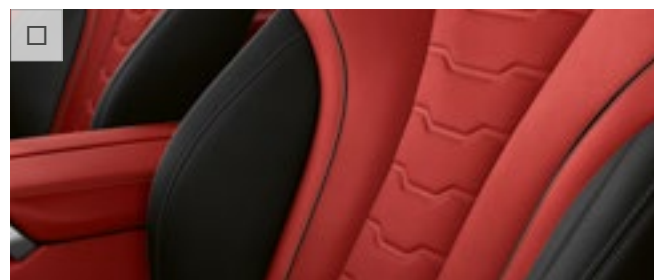
BMW Individual Full Merino Leather in Black, shown here with optional M Sport seats



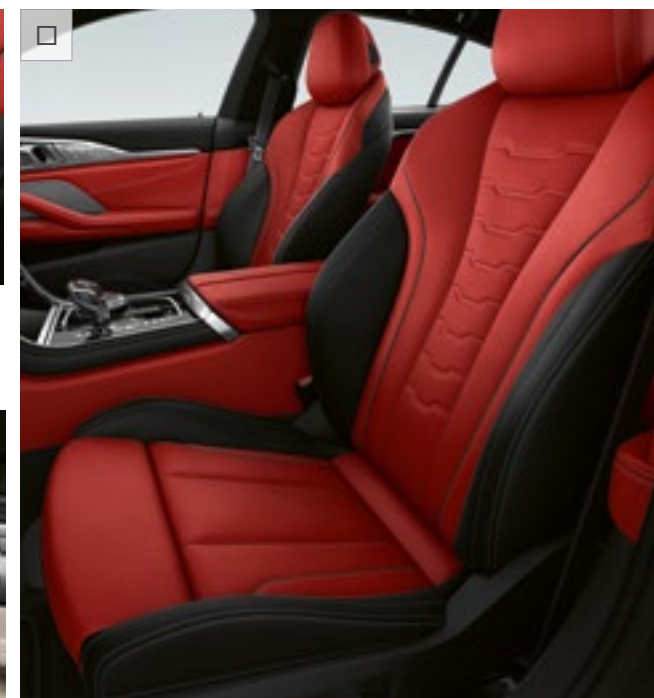
BMW Individual Full Merino Leather in Ivory White



BMW Individual Extended Merino Leather in Black



BMW Individual Extended Merino Leather in Fiona Red and Black



BMW Individual Full Merino Leather in Fiona Red and Black



BMW Individual Full Merino Leather in Night Blue and Black



# PACKAGES



## ULTIMATE PACK FOR COUPÉ AND GRAN COUPÉ:

Enhancing luxury and comfort specifically for your BMW 8 Series Coupé and Gran Coupé, the Ultimate pack provides a generous selection of optional equipment to fully optimise your BMW driving experience. Available within this package:

- Adaptive M Suspension Professional (Gran Coupé models and M850i xDrive Coupé models only)
- BMW Individual headlining in Anthracite Alcantara
- BMW Individual High-gloss Shadowline exterior trim with extended contents
- Bowers & Wilkins Diamond Surround Sound System
- CraftedClarity glass application
- Drive Recorder
- Driving Assistant Professional
- Heat Comfort package, front
- Integral Active Steering (840i sDrive M Sport only)
- Laserlights
- M Carbon Exterior package
- M Carbon roof<sup>1</sup>
- M seat belts
- M Sport Pro pack (M Sport only)
- Parking Assistant Plus
- Seat ventilation, for driver and front passenger
- Soft-close doors
- Sun protection glass (M Sport only)
- Sunblinds - rear windscreen, electric (Gran Coupé only)
- Sunblinds - rear side windows, electric (Gran Coupé only)
- TV Function Plus

<sup>1</sup> = If the Panoramic glass sunroof is selected, the M Carbon roof is automatically removed.

## ULTIMATE PACK FOR CONVERTIBLE:

Fully enhancing your BMW 8 Series Convertible, the Ultimate pack incorporates the perfect selection of optional equipment to heighten your BMW driving experience. Exclusively available for BMW 8 Series Convertible:

- Adaptive M Suspension Professional (M850i xDrive only)
- BMW Individual High-gloss Shadowline exterior trim with extended contents
- Bowers & Wilkins Diamond Surround Sound System
- CraftedClarity glass application
- Drive Recorder
- Driving Assistant Professional
- Heat Comfort package, front
- Integral Active Steering (840i sDrive M Sport only)
- Laserlights
- M Carbon Exterior package
- M seat belts
- M Sport Pro pack (M Sport only)
- Parking Assistant Plus
- Seat ventilation, for driver and front passenger
- Soft-close doors
- TV Function Plus



# PACKAGES



## TECHNOLOGY PLUS PACK

Including a range of Driving Assistance systems, Technology Plus pack supports you in numerous driving and parking situations ensuring that you are supported on the road:

- Bowers & Wilkins Diamond Surround Sound System
- Drive Recorder
- Driving Assistant Professional
- Parking Assistant Plus

## COMFORT PLUS PACK

Providing superior comfort, convenience and practicality Comfort Plus pack offers a tailored combination of luxury equipment. Contents include:

- Heat Comfort package, front
- Seat ventilation, front
- Soft-close doors
- Exclusively for Coupé models:
  - BMW Individual headlining, Alcantara Anthracite or Alcantara
- Exclusively for Gran Coupé models:
  - BMW Individual headlining, Alcantara Anthracite or Alcantara
  - Sunblinds – rear windscreen, electric
  - Sunblinds – rear side windows, electric



## VISIBILITY PACK

Visibility pack includes BMW Laserlights that feature three lighting levels and include LED low and high-beam headlights with laser module (above 37mph [59km/h]), position lights, daytime driving lights, direction indicators, cornering lights and Adaptive headlights. They include BMW Selective Beam (the dazzle-free high-beam assistant from BMW). The laser module for high-beam headlights doubles the light intensity compared to Bi-LED (more than 500m light emitted from Blue high-performance laser diodes is concentrated to White light with high intensity on a small phosphor plate). Includes specific design elements and exclusive 'BMW Laserlight' designation.

## M SPORT PRO PACK

Exclusively available for M Sport models, the M Sport Pro pack enhances driving dynamics with the combination of BMW advanced technology and M Sport performance options:

- BMW Individual High-gloss Shadowline with extended contents
- M seat belts
- M Sport differential
- Upgraded 19" M Sport brakes
- Exclusively for Coupé and Gran Coupé models:
  - Sun protection glass

INFORMATION



THE FINISHING TOUCH

# PRICING INFORMATION



COUPÉ			CONVERTIBLE			GRAN COUPÉ		
840i sDrive M Sport	M850i xDrive	840d xDrive M Sport	840i sDrive M Sport	M850i xDrive	840d xDrive M Sport	840i sDrive M Sport	M850i xDrive	840d xDrive M Sport

Basic price (excluding VAT)	£60,720.83	£84,408.33	£64,383.33	£66,554.17	£90,241.67	£70,216.67	£58,637.50	£82,325.00	£62,300.00
VAT 20%	£12,144.17	£16,881.67	£12,876.67	£13,310.83	£18,048.33	£14,043.33	£11,727.50	£16,465.00	£12,460.00
RRP (including VAT)	£72,865	£101,290	£77,260	£79,865	£108,290	£84,260	£70,365	£98,790	£74,760
On the road price from	£74,640	£104,045	£78,695	£82,075	£111,045	£86,025	£72,575	£101,545	£76,525
P11d value – Automatic	£73,715	£102,140	£78,110	£80,715	£109,140	£85,110	£71,215	£99,640	£75,610
BIK tax rate (2020 / 2021)	37%	37%	37%-36%	37%	37%	37%	37%	37%	37%
Insurance group	45	50	50	48	50	50	44	49	47
RDE2 Compliant (Y / N)	Y	Y	Y	Y	Y	Y	Y	Y	Y

## PRICES AND SPECIFICATIONS

BMW (UK) Limited reserves the right to alter prices and specifications without notice. BMW (UK) Limited has made every effort to ensure the accuracy of information but does not accept liability for any errors or omissions.

## VED RATES

Annual VED (second year onwards), for cars costing over £40,000, is payable for five years. VED rates for brand new cars are determined by their CO<sub>2</sub> emissions figure. First year VED applies to the first year of ownership. Annual VED rates apply thereafter. The BMW 8 Series models fall into the categories listed below:

CO <sub>2</sub> emissions – combined (g/km)	01-50	51-75	76-90	91-100	101-110	111-130	131-150	151-170	171-190	191-225	226-255	Over 255
First year VED (petrol and RDE2 diesel)	£10	£25	£110	£135	£155	£175	£215	£540	£870	£1,305	£1,850	£2,175
First year VED (diesel)	£25	£110	£135	£155	£175	£215	£540	£870	£1,305	£1,850	£2,175	£2,175
Annual VED – second year onwards (petrol and diesel cars over £40,000)	£475	£475	£475	£475	£475	£475	£475	£475	£475	£475	£475	£475

## ON THE ROAD PRICE

The recommended on the road price includes:

Delivery and BMW Emergency Service	£825
Number plates	£25
Vehicle first registration fee	£55
First year Vehicle Excise Duty	See left

Insurance group figures refer to 50 Group Rating System. Figures shown are for comparability purposes; only compare fuel consumption and CO<sub>2</sub> figures with other cars tested to the same technical procedures. These figures may not reflect real life driving results, which will depend upon a number of factors including the accessories fitted (post-registration), variations in weather, driving styles and vehicle load. The CO<sub>2</sub> figures have been determined according to the WLTP test. WLTP has been used as the applicable CO<sub>2</sub> figure from 1 April 2020 for first year vehicle tax (VED) and from 6 April 2020 for company car tax (BIK). The CO<sub>2</sub> figures were previously based on the NEDC equivalent.

# TECHNICAL INFORMATION



COUPÉ			CONVERTIBLE			GRAN COUPÉ		
840i sDrive M Sport	M850i xDrive	840d xDrive M Sport	840i sDrive M Sport	M850i xDrive	840d xDrive M Sport	840i sDrive M Sport	M850i xDrive	840d xDrive M Sport

Power output (hp)	333	530	340	333	530	340	333	530	340
0-62mph / 0-100km/h (secs)	5.2	3.8	4.8	5.5	4.0	5.1	5.4	3.9	5.0
Fuel consumption (combined mpg*)	33.6-34.4	26.2-26.4	43.5-44.1	33.2-33.6	25.9-26.2	42.2-43.5	32.5-33.6	25.7-25.9	41.5-42.8
Fuel consumption (combined l/100km*)	8.4-8.2	10.8-10.7	6.5-6.4	8.5-8.4	10.9-10.8	6.7-6.5	8.7-8.4	11.0-10.9	6.8-6.6
CO <sub>2</sub> emissions (combined g/km*)	192-188	247-244	171-168	195-191	248-246	175-172	198-192	252-248	179-172
Mild Hybrid Technology† (Y / N)	N	N	Y	N	N	Y	N	N	Y

CO<sub>2</sub> value will vary dependent on vehicle specification. Build your BMW and view the CO<sub>2</sub> figure for your chosen model [here](#). \* = Figures shown are for comparability purposes; only compare fuel consumption and CO<sub>2</sub> figures with other cars tested to the same technical procedures. These figures may not reflect real life driving results, which will depend upon a number of factors including the accessories fitted (post-registration), variations in weather, driving styles and vehicle load. The CO<sub>2</sub> figures shown above have been determined according to the WLTP test. WLTP has been used as the applicable CO<sub>2</sub> figure from 1 April 2020 for first year vehicle tax (VED) and from 6 April 2020 for company car tax (BIK). The CO<sub>2</sub> figures were previously based on the NEDC equivalent. † = 48V Mild Hybrid Technology provides many benefits including improved recovery of kinetic energy during braking and support of the combustion engine when accelerating. This helps to reduce CO<sub>2</sub> emissions whilst improving fuel consumption and performance.

# OPTIONAL EQUIPMENT PRICING



COUPÉ			CONVERTIBLE			GRAN COUPÉ			Price
840i sDrive M Sport	M850i xDrive	840d xDrive M Sport	840i sDrive M Sport	M850i xDrive	840d xDrive M Sport	840i sDrive M Sport	M850i xDrive	840d xDrive M Sport	

## PAINTWORK

Metallic Available in Barcelona Blue, Black Sapphire, Carbon Black, Dravit Grey, Mineral White or Sunset Orange Available in Bluestone	■	■	■	■	■	■	■	■	Std
-	■	-	-	■	-	-	■	-	Std
Non-metallic Available in Alpine White	□	□	□	□	□	□	□	□	£0
BMW Individual Available in Aventurine Red II or Tanzanite Blue II	□	□	□	□	□	□	□	□	£1,065
Available in Frozen Bluestone	□	□	□	□	□	□	□	□	£2,450
Individual Special Request exterior paint <sup>1</sup>	□	□	□	□	□	□	□	□	POA

## UPHOLSTERY

Merino leather with extended contents Available in Black with M piping	■	■	■	■	■	■	■	■	Std
BMW Individual Extended Merino leather Available in Black with Black colour world, Cognac with Black colour world or Ivory White with Ivory White colour world	□	□	□	□	□	□	□	□	£0
Available in Fiona Red with Black colour world, Night Blue with Black colour world or Tartufo with Black colour world	□	□	□	□	□	□	□	□	£500
BMW Individual Full Merino leather Available in Black with a Black colour world or Ivory White with an Ivory White colour world	□	□	□	□	□	□	□	□	£3,250
Available in Fiona Red / Black with a Black colour world or Night Blue / Black with a Black colour world	□	□	□	□	□	□	□	□	£3,750
Available in Ivory White / Night Blue with Black colour world Only with BMW Individual headlining in Alcantara as part of Comfort Plus pack (Coupé and Gran Coupé models only)	-	□	□	-	□	□	-	□	£4,950

Only with = these options must be ordered together. <sup>1</sup> = The function of Lane Change Assistant, as part of Driving Assistant Professional, will be deactivated when ordered in combination with BMW Individual Special request paintwork.





COUPÉ			CONVERTIBLE			GRAN COUPÉ			Price
840i sDrive M Sport	M850i xDrive	840d xDrive M Sport	840i sDrive M Sport	M850i xDrive	840d xDrive M Sport	840i sDrive M Sport	M850i xDrive	840d xDrive M Sport	

PACKAGES

<b>COMFORT PLUS PACK</b> Comprises: – Heat Comfort package, front – Seat ventilation, front – Soft-close doors Coupé models: – BMW Individual headlining, Alcantara Anthracite or Alcantara Gran Coupé models: – BMW Individual headlining, Alcantara Anthracite or Alcantara – Sunblinds – rear windscreen, electric – Sunblinds – rear side windows, electric	-	-	-	-	-	-	□	□	□	£3,000
	□	□	□	-	-	-	-	-	-	£1,800
	-	-	-	□	□	□	-	-	-	£1,300
<b>HEAT COMFORT PACKAGE, FRONT</b> Comprises: – Heated armrests in the front centre console – Heated armrests in the front doors – Steering wheel heating Only with Comfort Plus pack / Ultimate pack	□	□	□	□	□	□	□	□	□	n/a
<b>M SPORT PRO PACK</b> Comprises: – BMW Individual High-gloss Shadowline with extended contents <sup>1</sup> – M seat belts – M Sport differential – Upgraded 19" M Sport brakes Coupé and Gran Coupé models: – Sun protection glass	□	-	-	-	-	-	□	-	-	£2,900
	-	-	-	□	-	-	-	-	-	£2,500
	-	-	□	-	-	-	-	-	□	£1,900
	-	-	-	-	-	□	-	-	-	£1,500
<b>TECHNOLOGY PLUS PACK</b> Comprises: – Bowers & Wilkins Diamond Surround Sound System – Drive Recorder – Driving Assistant Professional <sup>2</sup> – Parking Assistant Plus	□	□	□	□	□	□	□	□	□	£6,000

Only with = these options must be ordered together. <sup>1</sup> = Consisting of Kidney surround and struts, Air breather insert and exhaust tailpipe finishers. <sup>2</sup> = The function of Lane Change Assistant, as part of Driving Assistant Professional, will be deactivated when ordered in combination with BMW Individual Special request paintwork.



COUPÉ			CONVERTIBLE			GRAN COUPÉ			Price
840i sDrive M Sport	M850i xDrive	840d xDrive M Sport	840i sDrive M Sport	M850i xDrive	840d xDrive M Sport	840i sDrive M Sport	M850i xDrive	840d xDrive M Sport	

PACKAGES (CONT.)

<b>ULTIMATE PACK</b> Comprises: – BMW Individual High-gloss Shadowline with extended contents – Bowers & Wilkins Diamond Surround Sound System – CraftedClarity glass application – Drive Recorder – Driving Assistant Professional – Heat Comfort package, front – Laserlights – M Carbon Exterior package – M Carbon roof <sup>1</sup> – M seat belts – Parking Assistant Plus – Seat ventilation, front – Soft-close doors – TV function Plus Differing content: – Adaptive M Suspension Professional (Convertible / M850i xDrive Coupé and Gran Coupé only) – Integral Active Steering (840i sDrive M Sport only) – M Sport Pro pack (M Sport only) Coupé and Gran Coupé models: – BMW Individual headlining, Alcantara Anthracite – Sun protection glass (M Sport only) Gran Coupé models: – Sunblinds - rear windscreen, electric – Sunblinds - rear side windows, electric	-	-	-	-	-	-	□	-	£22,000	
	-	-	-	-	-	-	□	-	□	£20,000
	□	□	□	-	-	-	-	-	-	£19,000
	-	-	-	□	□	□	-	-	-	£15,000
	□	□	□	□	□	□	□	□	□	£1,500

<sup>1</sup> = If Panoramic glass sunroof is selected on Gran Coupé then M Carbon roof is automatically removed.



	COUPÉ			CONVERTIBLE			GRAN COUPÉ			
	840i sDrive M Sport	M850i xDrive	840d xDrive M Sport	840i sDrive M Sport	M850i xDrive	840d xDrive M Sport	840i sDrive M Sport	M850i xDrive	840d xDrive M Sport	Price

INTERIOR TRIMS

Carbon Fibre	<input type="checkbox"/>	<input type="checkbox"/>	<input type="checkbox"/>	<input type="checkbox"/>	<input type="checkbox"/>	<input type="checkbox"/>	<input type="checkbox"/>	<input type="checkbox"/>	<input type="checkbox"/>	£450
Finewood Ash Grain Grey, High-gloss	<input type="checkbox"/>	<input type="checkbox"/>	<input type="checkbox"/>	<input type="checkbox"/>	<input type="checkbox"/>	<input type="checkbox"/>	<input type="checkbox"/>	<input type="checkbox"/>	<input type="checkbox"/>	£200
Stainless steel fabric	<input checked="" type="checkbox"/>	<input checked="" type="checkbox"/>	<input checked="" type="checkbox"/>	<input checked="" type="checkbox"/>	<input checked="" type="checkbox"/>	<input checked="" type="checkbox"/>	<input checked="" type="checkbox"/>	<input checked="" type="checkbox"/>	<input checked="" type="checkbox"/>	Std

BMW INDIVIDUAL INTERIOR TRIMS

Fine-wood Ash Black Silver effect, High-gloss	<input type="checkbox"/>	<input type="checkbox"/>	<input type="checkbox"/>	<input type="checkbox"/>	<input type="checkbox"/>	<input type="checkbox"/>	<input type="checkbox"/>	<input type="checkbox"/>	<input type="checkbox"/>	£250
Piano Black	<input type="checkbox"/>	<input type="checkbox"/>	<input type="checkbox"/>	<input type="checkbox"/>	<input type="checkbox"/>	<input type="checkbox"/>	<input type="checkbox"/>	<input type="checkbox"/>	<input type="checkbox"/>	£250

STEERING & CHASSIS

Adaptive M Suspension Professional	-	<input type="checkbox"/>	-	-	<input type="checkbox"/>	-	<input type="checkbox"/>	<input type="checkbox"/>	<input type="checkbox"/>	£2,495
Integral Active Steering	<input type="checkbox"/>	<input checked="" type="checkbox"/>	<input checked="" type="checkbox"/>	<input type="checkbox"/>	<input checked="" type="checkbox"/>	<input checked="" type="checkbox"/>	<input type="checkbox"/>	<input checked="" type="checkbox"/>	<input checked="" type="checkbox"/>	£1,750
M Sport braking system, High-gloss Black	<input type="checkbox"/>	<input type="checkbox"/>	<input type="checkbox"/>	<input type="checkbox"/>	<input type="checkbox"/>	<input type="checkbox"/>	<input type="checkbox"/>	<input type="checkbox"/>	<input type="checkbox"/>	£0
M Sport differential Only with M Sport Pro pack (840d xDrive M Sport)	<input checked="" type="checkbox"/>	<input checked="" type="checkbox"/>	<input type="checkbox"/>	<input checked="" type="checkbox"/>	<input checked="" type="checkbox"/>	<input type="checkbox"/>	<input checked="" type="checkbox"/>	<input checked="" type="checkbox"/>	<input type="checkbox"/>	n/a

BMW EFFICIENT DYNAMICS

Active Aerodynamics	<input checked="" type="checkbox"/>	<input checked="" type="checkbox"/>	<input checked="" type="checkbox"/>	<input checked="" type="checkbox"/>	<input checked="" type="checkbox"/>	<input checked="" type="checkbox"/>	<input checked="" type="checkbox"/>	<input checked="" type="checkbox"/>	<input checked="" type="checkbox"/>	Std
Auto Start / Stop	<input checked="" type="checkbox"/>	<input checked="" type="checkbox"/>	<input checked="" type="checkbox"/>	<input checked="" type="checkbox"/>	<input checked="" type="checkbox"/>	<input checked="" type="checkbox"/>	<input checked="" type="checkbox"/>	<input checked="" type="checkbox"/>	<input checked="" type="checkbox"/>	Std
Brake Energy Regeneration	<input checked="" type="checkbox"/>	<input checked="" type="checkbox"/>	<input checked="" type="checkbox"/>	<input checked="" type="checkbox"/>	<input checked="" type="checkbox"/>	<input checked="" type="checkbox"/>	<input checked="" type="checkbox"/>	<input checked="" type="checkbox"/>	<input checked="" type="checkbox"/>	Std
ECO PRO mode	<input checked="" type="checkbox"/>	<input checked="" type="checkbox"/>	<input checked="" type="checkbox"/>	<input checked="" type="checkbox"/>	<input checked="" type="checkbox"/>	<input checked="" type="checkbox"/>	<input checked="" type="checkbox"/>	<input checked="" type="checkbox"/>	<input checked="" type="checkbox"/>	Std
Electric Power Steering (EPS) with Servotronic	<input checked="" type="checkbox"/>	<input checked="" type="checkbox"/>	<input checked="" type="checkbox"/>	<input checked="" type="checkbox"/>	<input checked="" type="checkbox"/>	<input checked="" type="checkbox"/>	<input checked="" type="checkbox"/>	<input checked="" type="checkbox"/>	<input checked="" type="checkbox"/>	Std
High-precision direct injection	<input checked="" type="checkbox"/>	<input checked="" type="checkbox"/>	-	<input checked="" type="checkbox"/>	<input checked="" type="checkbox"/>	-	<input checked="" type="checkbox"/>	<input checked="" type="checkbox"/>	-	Std

Individual BMW EfficientDynamics features may be excluded, depending on the optional equipment chosen. Your BMW Centre will be pleased to provide you with more information.

Only with = these options must be ordered together.

Standard equipment    Optional equipment   - Not available



	COUPÉ			CONVERTIBLE			GRAN COUPÉ			
	840i sDrive M Sport	M850i xDrive	840d xDrive M Sport	840i sDrive M Sport	M850i xDrive	840d xDrive M Sport	840i sDrive M Sport	M850i xDrive	840d xDrive M Sport	Price

SAFETY & TECHNOLOGY

<p>Driving Assistant Professional Comprises:</p> <ul style="list-style-type: none"> <li>- Active Lane Guidance</li> <li>- Adaptive Distance Control</li> <li>- Approach control Warning</li> <li>- Automatic Speed Limit Assist</li> <li>- Cruise Control with Approach Control</li> <li>- Crossing-traffic Warning, front and rear</li> <li>- Crossroad Warning with city braking function</li> <li>- Emergency Stop Assistant</li> <li>- Evasion Aid</li> <li>- Front collision Warning</li> <li>- Lane Change Assistant</li> <li>- Lane Change Warning</li> <li>- Lane Departure Warning</li> <li>- Lane Keeping Assistant</li> <li>- Rear collision prevention</li> <li>- Speed Limit Assist (manual)</li> <li>- Speed Limit Info</li> <li>- Steering and Lane Control Assistant</li> <li>- Traffic light detection</li> <li>- Wrong-way Warning</li> </ul> <p>Only with Technology Plus pack / Ultimate pack</p>	<input type="checkbox"/>	<input type="checkbox"/>	<input type="checkbox"/>	<input type="checkbox"/>	<input type="checkbox"/>	<input type="checkbox"/>	<input type="checkbox"/>	<input type="checkbox"/>	<input type="checkbox"/>	n/a
<p>Parking Assistant Comprises:</p> <ul style="list-style-type: none"> <li>- Active Park Distance Control</li> <li>- Parking Assistant for parallel and lateral parking spaces</li> <li>- Rear-view camera</li> <li>- Reversing Assistant</li> </ul>	<input checked="" type="checkbox"/>	<input checked="" type="checkbox"/>	<input checked="" type="checkbox"/>	<input checked="" type="checkbox"/>	<input checked="" type="checkbox"/>	<input checked="" type="checkbox"/>	<input checked="" type="checkbox"/>	<input checked="" type="checkbox"/>	<input checked="" type="checkbox"/>	Std
<p>Parking Assistant Plus Comprises all functionality of Parking Assistant, plus:</p> <ul style="list-style-type: none"> <li>- Lateral parking aid</li> <li>- Panorama View</li> <li>- Remote 3D View</li> <li>- Reversing Assistant</li> <li>- Surround View</li> <li>- Top View</li> </ul> <p>Included in Technology Plus pack / Ultimate pack</p>	<input type="checkbox"/>	<input type="checkbox"/>	<input type="checkbox"/>	<input type="checkbox"/>	<input type="checkbox"/>	<input type="checkbox"/>	<input type="checkbox"/>	<input type="checkbox"/>	<input type="checkbox"/>	£650
<p>Run-flat tyres Only with select alloy wheels</p>	<input checked="" type="checkbox"/>	<input type="checkbox"/>	<input checked="" type="checkbox"/>	<input checked="" type="checkbox"/>	<input type="checkbox"/>	<input checked="" type="checkbox"/>	<input checked="" type="checkbox"/>	<input type="checkbox"/>	<input checked="" type="checkbox"/>	£0
<p>Tyre repair kit</p>	<input type="checkbox"/>	<input checked="" type="checkbox"/>	<input type="checkbox"/>	<input type="checkbox"/>	<input checked="" type="checkbox"/>	<input type="checkbox"/>	<input type="checkbox"/>	<input checked="" type="checkbox"/>	<input type="checkbox"/>	£0

Only with = these options must be ordered together.

■ Standard equipment   □ Optional equipment   - Not available



	COUPÉ			CONVERTIBLE			GRAN COUPÉ			
	840i sDrive M Sport	M850i xDrive	840d xDrive M Sport	840i sDrive M Sport	M850i xDrive	840d xDrive M Sport	840i sDrive M Sport	M850i xDrive	840d xDrive M Sport	Price

SEATS

M seat belts Only with M Sport Pro pack / Ultimate pack (M Sport only)	-	□	-	-	□	-	-	□	-	£260
	□		□	□		□	□		□	n/a
M Sport seats, front Only with BMW Individual Extended Merino leather in Ivory White or Black, BMW Individual Full Merino leather in Ivory White/Black, Ivory White or Black Only with Heat Comfort package as part of Comfort Plus pack (Coupé and Convertible models)	□	□	□	□	□	□	□	□	□	£1,295

INTERIOR EQUIPMENT

CraftedClarity glass application	□	□	□	□	□	□	□	□	□	£575
Panoramic glass sunroof	-	-	-	-	-	-	□	□	□	£1,895
Sun protection glass	□	■	□	-	-	-	□	■	□	£420

EXTERIOR EQUIPMENT

BMW Individual High-gloss Shadowline with extended contents Only with M Sport Pro pack / Ultimate pack (M Sport only)	-	□	-	-	□	-	-	□	-	£450
	□	-	□	□	-	□	□	-	□	n/a
BMW Individual soft-top colours Available in Bordeaux Red, Brown or Marine Blue	-	-	-	□	□	□	-	-	-	£4,445
Exterior trim, Chromeline	□	□	□	□	□	□	□	□	□	£0
M Carbon Exterior package Comprises: – M Carbon Air Curtain, front left and right – M Carbon blade, front centre <sup>1</sup> – M Carbon mirror caps – M Carbon rear spoiler (Coupé only) – Single-piece carbon finisher around the tailpipe finishers – Rear diffuser insert in specific geometry	□	□	□	-	-	-	-	-	-	£4,150
	-	-	-	□	□	□	□	□	□	£3,950
M Carbon roof	□	□	□	-	-	-	□	□	□	£2,650
Soft-top, Anthracite Silver fleck	-	-	-	□	□	□	-	-	-	£350

Only with = these options must be ordered together. <sup>1</sup> = Not available with Driving Assistant Professional.



	COUPÉ			CONVERTIBLE			GRAN COUPÉ			
	840i sDrive M Sport	M850i xDrive	840d xDrive M Sport	840i sDrive M Sport	M850i xDrive	840d xDrive M Sport	840i sDrive M Sport	M850i xDrive	840d xDrive M Sport	Price

ACCESSORIES

Trackstar S5 <sup>1</sup>	<input type="checkbox"/>	<input type="checkbox"/>	<input type="checkbox"/>	<input type="checkbox"/>	<input type="checkbox"/>	<input type="checkbox"/>	<input type="checkbox"/>	<input type="checkbox"/>	<input type="checkbox"/>	E500
---------------------------	--------------------------	--------------------------	--------------------------	--------------------------	--------------------------	--------------------------	--------------------------	--------------------------	--------------------------	------

AUDIO & COMMUNICATION

BMW Emergency Call <sup>2</sup>	■	■	■	■	■	■	■	■	■	Std
BMW Live Cockpit Professional Comprises: – 10.25" Control Display with Touch Functionality – 12.3" Digital Instrument Display – BMW Intelligent Personal Assistant <sup>3</sup> – BMW Operating System 7.0 – iDrive Controller with Touch Function – Intelligent Functionalities <sup>3, 4</sup> – Remote Software Upgrade <sup>3</sup>	■	■	■	■	■	■	■	■	■	Std
BMW Online Services <sup>3, 4</sup> Comprises: – BMW Apps – BMW Online Services – USB and Over-the-air Map Updates – Last State Call <sup>2, 4</sup>	■	■	■	■	■	■	■	■	■	Std
BMW TeleServices <sup>2</sup>	■	■	■	■	■	■	■	■	■	Std

<sup>1</sup> = Subscription costs apply: 1 year for E168 or 3 years for E399. Please consult your local BMW Centre for further details. <sup>2</sup> = Available and active without runtime limitations. Usage cannot be guaranteed permanently due to potential future technical developments (of the Service availability and/or Smartphone compatibility/operating systems). <sup>3</sup> = Active for three years, renewable thereafter at an additional cost. <sup>4</sup> = Requires a free BMW ConnectedDrive account.



	COUPÉ			CONVERTIBLE			GRAN COUPÉ			
	840i sDrive M Sport	M850i xDrive	840d xDrive M Sport	840i sDrive M Sport	M850i xDrive	840d xDrive M Sport	840i sDrive M Sport	M850i xDrive	840d xDrive M Sport	Price

AUDIO & COMMUNICATION (CONT.)

Connected Package Professional <sup>1,2</sup> Comprises: – BMW Maps – Concierge Services – Connected Music – Connected Teaser <sup>3</sup> – Connected Parking – In-Car Experiences – Real Time Traffic Information – Remote 3D View <sup>4</sup> – Remote Services – Smartphone Integration <sup>5,6</sup>	■	■	■	■	■	■	■	■	■	Std
DAB tuner	■	■	■	■	■	■	■	■	■	Std
Enhanced Bluetooth with wireless charging	■	■	■	■	■	■	■	■	■	Std
Loudspeaker system – harman/kardon	■	■	■	■	■	■	■	■	■	Std
TV Function Plus	□	□	□	□	□	□	□	□	□	£1,150
WiFi hotspot preparation <sup>7</sup>	■	■	■	■	■	■	■	■	■	Std

<sup>1</sup> = Active for three years, renewable thereafter at an additional cost. <sup>2</sup> = Requires a free BMW ConnectedDrive account. <sup>3</sup> = Includes BMW Music. Available and active for three months. Can be extended or renewed thereafter at an extra cost. <sup>4</sup> = Only in combination with Parking Assistant Plus. <sup>5</sup> = Available and active without runtime limitations. Usage cannot be guaranteed permanently due to potential future technical developments (of the Service availability and/or Smartphone compatibility/operating systems). <sup>6</sup> = Functions using a data connection will use data from the SIM card in the phone. Additional data charges may be applied by the mobile network provider. Compatibility and functions may vary due to the make and model year of the phone and the version of software installed on it. <sup>7</sup> = Data subscription costs apply and must be purchased separately.



COUPÉ			CONVERTIBLE			GRAN COUPÉ				
840i sDrive M Sport	M850i xDrive M	840d xDrive M Sport	840i sDrive M Sport	M850i xDrive	840d xDrive M Sport	840i sDrive M Sport	M850i xDrive	840d xDrive M Sport	Run-flat tyres	Price

LIGHT ALLOY WHEELS

	20" M Y-spoke style 728 M, Jet Black	□	-	□	□	-	□	■	E350
	20" M Y-spoke style 728 M, Jet Black with performance tyres	-	□	-	-	□	-	-	E0
	Only with M Sport Pro pack 20" M Y-spoke style 728 M, Bicolour Cerium Grey with performance tyres	□	-	□	□	-	□	-	n/a
	20" M Y-spoke style 728 M, Bicolour Cerium Grey	-	■	-	-	■	-	-	Std
	20" M Y-spoke style 728 M, Bicolour Cerium Grey	-	□	-	-	□	-	■	E0





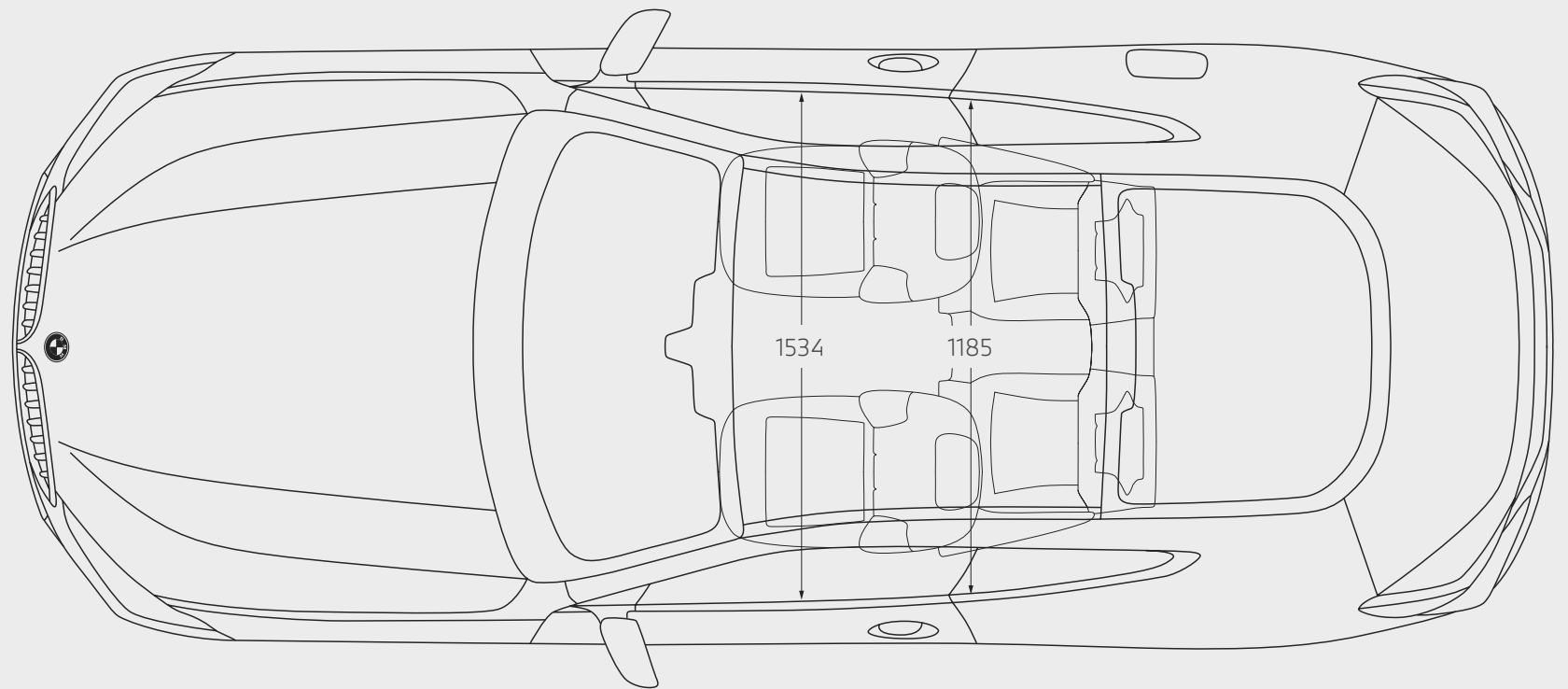
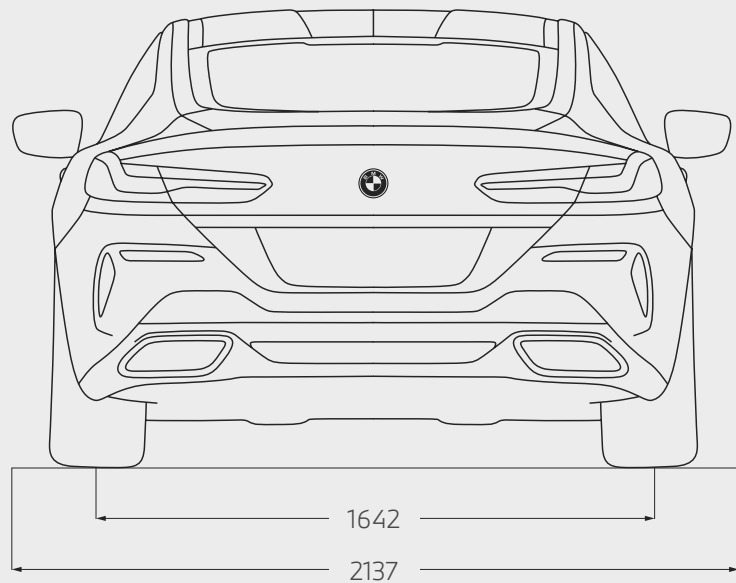
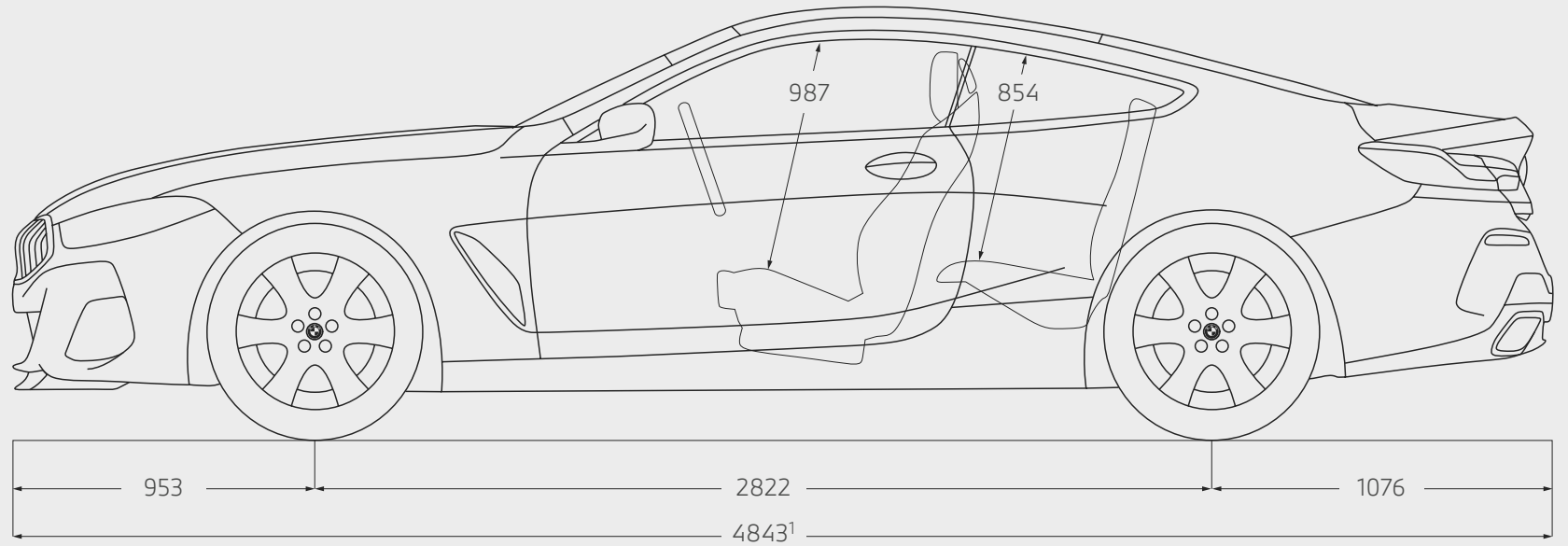
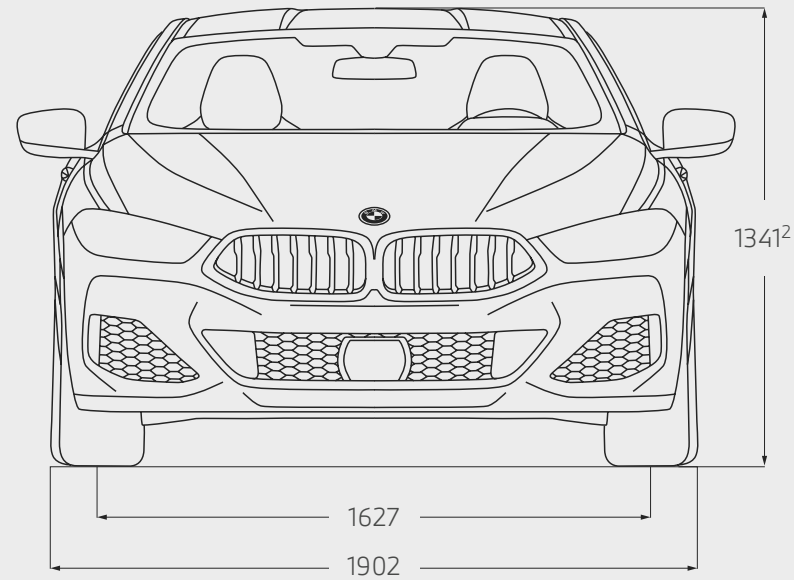
COUPÉ			CONVERTIBLE			GRAN COUPÉ				
840i sDrive M Sport	M850i xDrive M	840d xDrive M Sport	840i sDrive M Sport	M850i xDrive	840d xDrive M Sport	840i sDrive M Sport	M850i xDrive	840d xDrive M Sport	Run-flat tyres	Price

LIGHT ALLOY WHEELS (CONT.)

	20" M Y-spoke style 728 M, Bicolour	■	-	■	■	-	■	■	Std
	20" M Y-spoke style 728 M, Bicolour with performance tyres	-	□	-	-	□	-	-	£0
	Only with M Sport Pro pack 20" M Multi-spoke style 729 M, Bicolour	□	-	□	□	-	□	-	n/a
	20" BMW Individual Y-spoke style 730 I	□	-	□	□	□	-	■	£500
		-	□	-	-	□	-	■	£0

# DIMENSIONS

## THE BMW 8 SERIES COUPÉ.

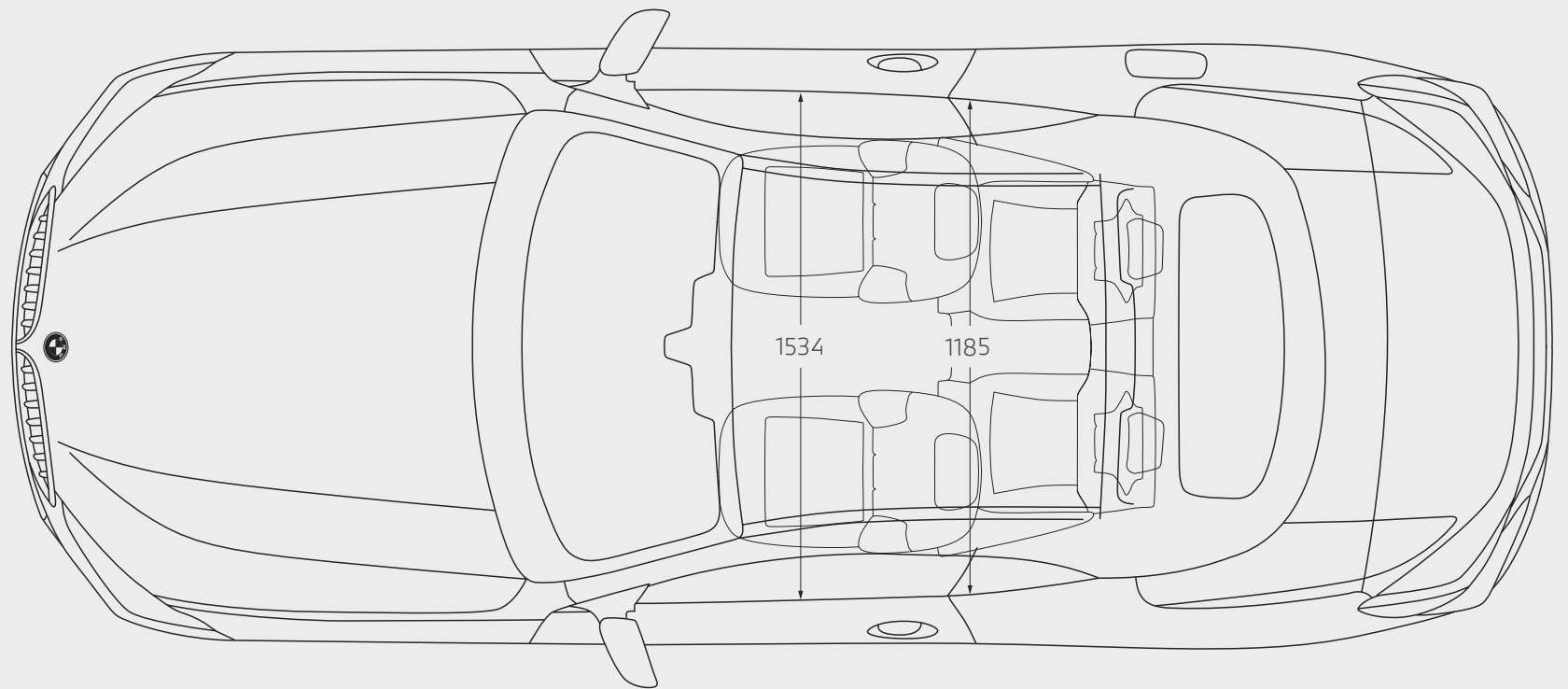
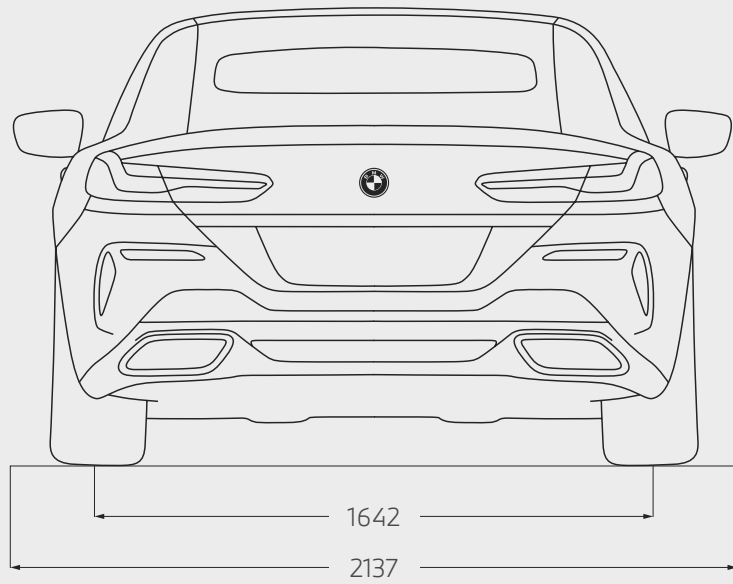
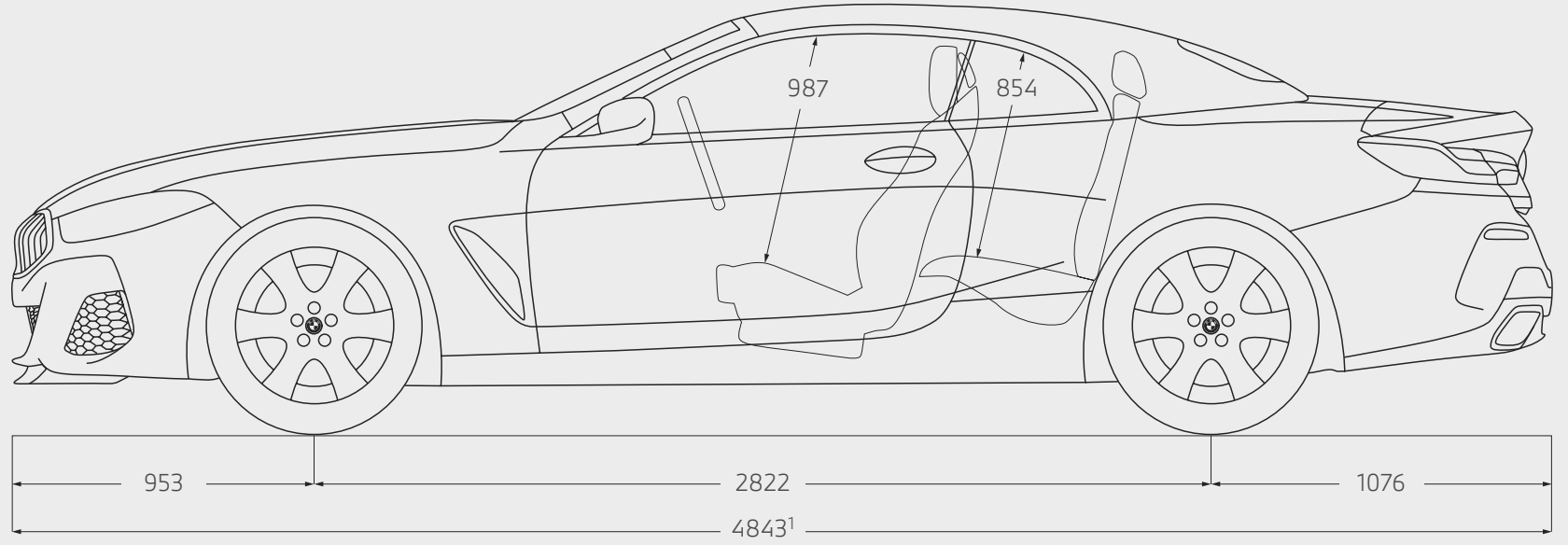
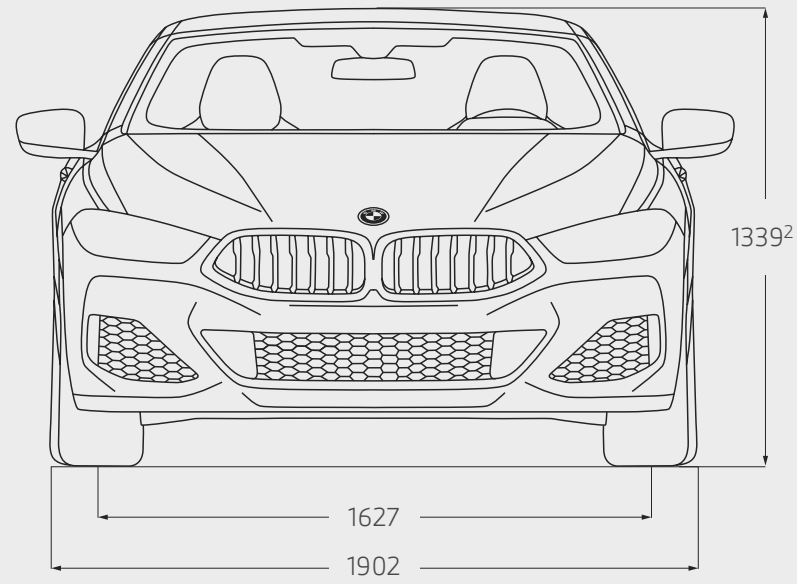


Length (mm)	4843 <sup>1</sup>	Height (mm)	1341 <sup>2</sup>	Number of seats	4	Turning circle (m)	11.6 <sup>3</sup>
Width (mm)	1902	Width including mirrors (mm) (Driver / Passenger)	2137 (1074 / 1063)	Wheelbase (mm)	2822	Luggage capacity (litre)	420

<sup>1</sup> = M850i xDrive: 4851mm. <sup>2</sup> = M850i xDrive: 1346mm. <sup>3</sup> = xDrive: 11.9m.

# DIMENSIONS

## THE BMW 8 SERIES CONVERTIBLE.

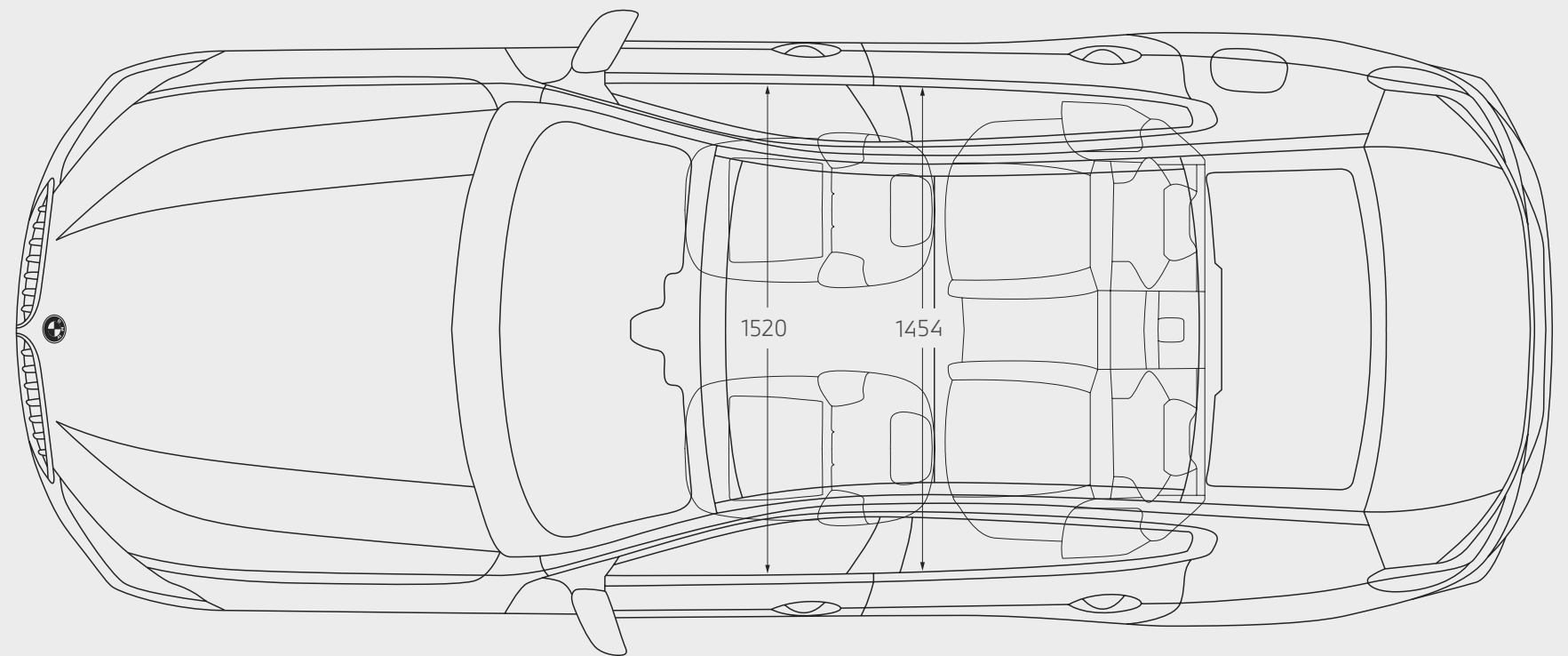
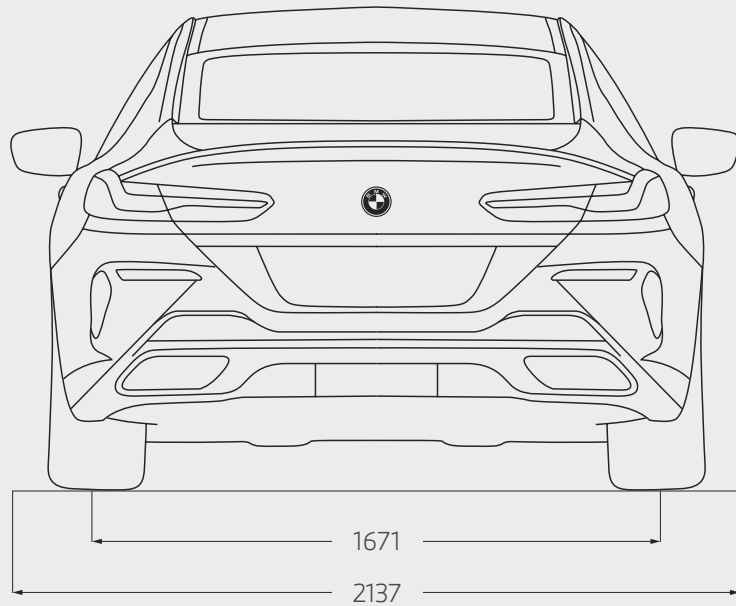
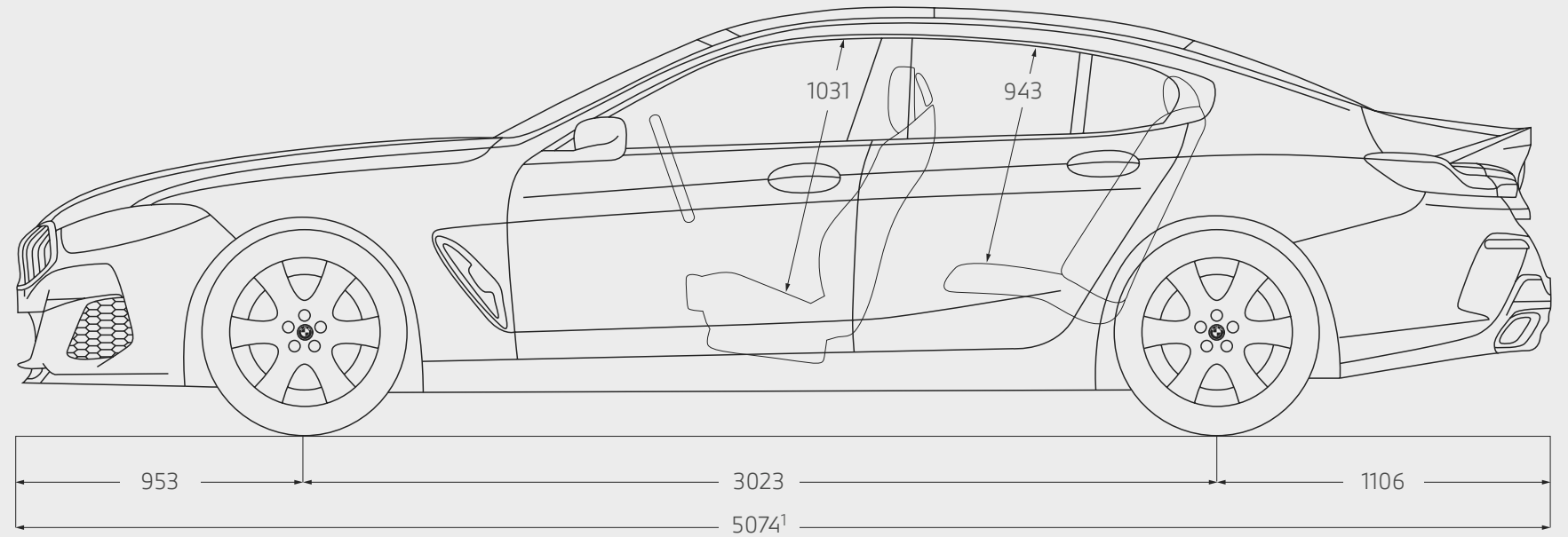
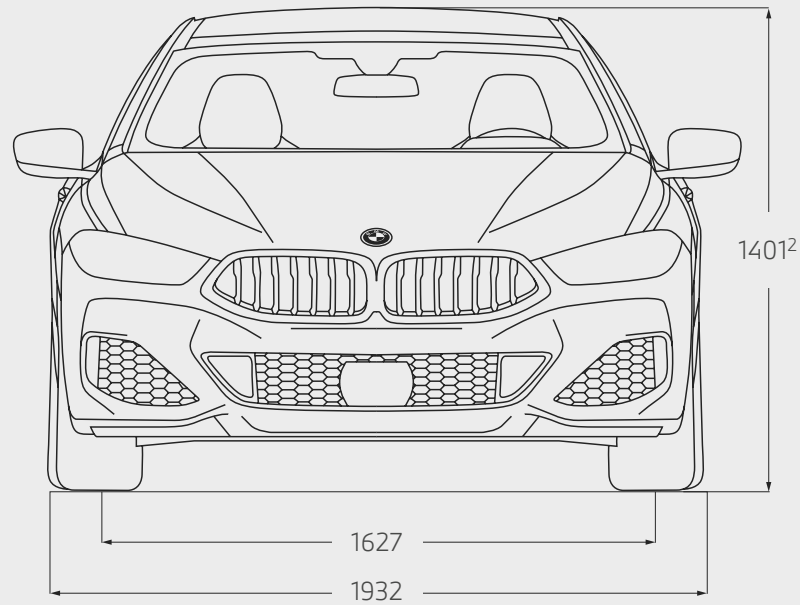


Length (mm)	4843 <sup>1</sup>	Height (mm)	1339 <sup>2</sup>	Number of seats	4	Turning circle (m)	11.6 <sup>3</sup>
Width (mm)	1902	Width including mirrors (mm) (Driver / Passenger)	2137 (1074 / 1063)	Wheelbase (mm)	2822	Luggage capacity (litre)	280-350

<sup>1</sup> = M850i xDrive: 4851mm. <sup>2</sup> = M850i xDrive: 1345mm. <sup>3</sup> = xDrive: 11.9m.

# DIMENSIONS

## THE BMW 8 SERIES GRAN COUPÉ.



Length (mm)	5074 <sup>1</sup>	Height (mm)	1401 <sup>2</sup>	Number of seats	5	Turning circle (m)	12.3 <sup>3</sup>
Width (mm)	1932	Width including mirrors (mm) (Driver / Passenger)	2137 (1074 / 1063)	Wheelbase (mm)	3023	Luggage capacity (litre)	440

<sup>1</sup> = M850i xDrive: 5082mm. <sup>2</sup> = M850i xDrive: 1407mm. <sup>3</sup> = xDrive: 12.6m

## BMW PAY MONTHLY SERVICING

### SERVICING MADE SIMPLE

Planning for the road ahead has never been easier. With the BMW Pay Monthly Service Plan<sup>1</sup> you can remove the uncertainty often associated with car servicing costs by spreading them monthly, much like you would your household bills. Our Pay Monthly service plan covers two services and any unused credit can be transferred to another BMW if you decide to switch unexpectedly. As part of the Pay Monthly plan you will also receive a number of added extras including:

- Fluid top ups
- An MOT
- A Wash & Vac each time you visit
- Seasonal health checks
- Sat Nav Map updates

Get the quality service and parts you expect from BMW with a fixed monthly payment. Give your BMW the care and attention it deserves from the experts that made it.

**Price: £30 per month for 36 months**

Please contact your preferred BMW Centre for further information.



<sup>1</sup> = Participating BMW Centres only. Two services must be claimed within four years or 40,000 miles, whichever occurs soonest. Content correct at time of publishing. Prices subject to change.

# BMW CONNECTED DRIVE SERVICES

BMW ConnectedDrive keeps driver and vehicle connected with the outside world. Digital services, driver-focused technologies and driver assistance systems provide more comfort, more entertainment and more safety. Increase your driving pleasure – with BMW ConnectedDrive.

For further information on BMW ConnectedDrive and the General Terms and Conditions of Service for ConnectedDrive, please see: [www.bmw.co.uk/connecteddrive-information](http://www.bmw.co.uk/connecteddrive-information)

The BMW ConnectedDrive Hotline is available on: +44 (0) 800 561 0555 from Monday to Friday 8am – 7pm and Saturday to Sunday 9am – 5pm.

## CONNECTED DRIVE SERVICES DURATION

BMW Music	3 month trial
BMW Apps	3 years
BMW Intelligent Personal Assistant	3 years
BMW Maps	3 years
BMW Online Services	3 years
Concierge Services	3 years
Connected Music	3 years
Connected Parking	3 years
In-Car Experiences	3 years
Intelligent Functionalities	3 years
Map Updates	3 years
Real Time Traffic Information	3 years
Remote Services	3 years
Remote Software Upgrade	3 years
BMW Emergency Call	Active without runtime limitations
BMW TeleServices	Active without runtime limitations
Last State Call	Active without runtime limitations
Smartphone Integration	Active without runtime limitations

## GENERAL INFORMATION

BMW (UK) Ltd, Summit ONE, Summit Avenue, Farnborough, Hampshire, GU14 0FB (hereinafter referred to as "BMW") provides the customer with certain vehicle-related information and assistance functions (hereinafter called "Services") under the name of "BMW ConnectedDrive". BMW collects, stores or processes car-related data in compliance with applicable law and only to the extent necessary to provide the Services. BMW does not collect, store or process personal data in course of the Services – except where this is explicitly stated in the service description of the individual Services. In the case of Services that require personal data to be collected, stored and processed so that such Services can actually be provided, BMW informs customers of this in advance by providing this data protection notice. The Services are provided by means of a SIM card installed in the vehicle.

## DEACTIVATION

You can have the BMW ConnectedDrive services deactivated through an authorised BMW centre, a BMW subsidiary or a BMW authorised workshop at any time. This also has the consequence that aspects of the emergency call in the vehicle as well as all remaining Services will no longer function.

You can additionally arrange for the remaining Services to be deactivated via "My BMW ConnectedDrive".

If the vehicle is equipped with the legally required EU Emergency Call (as from April 2018) a deactivation of the BMW ConnectedDrive basic services will not deactivate the vehicle's built-in SIM card. It has to remain active, so that the EU Emergency Call is functional all the time.

Services that are available and active without runtime limitations, cannot be guaranteed for permanent usage due to potential future technical developments (of the Service availability and/or Smartphone compatibility/operating systems).





READY TO TAKE THE NEXT STEP?